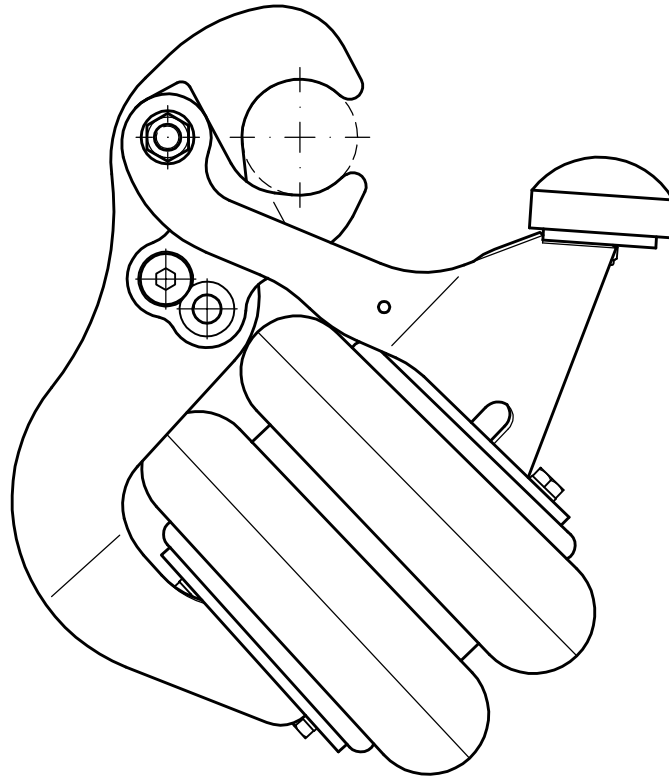


Acceval EBP-3



Axle Lift Kit for
BPW Airlight II
Suspensions

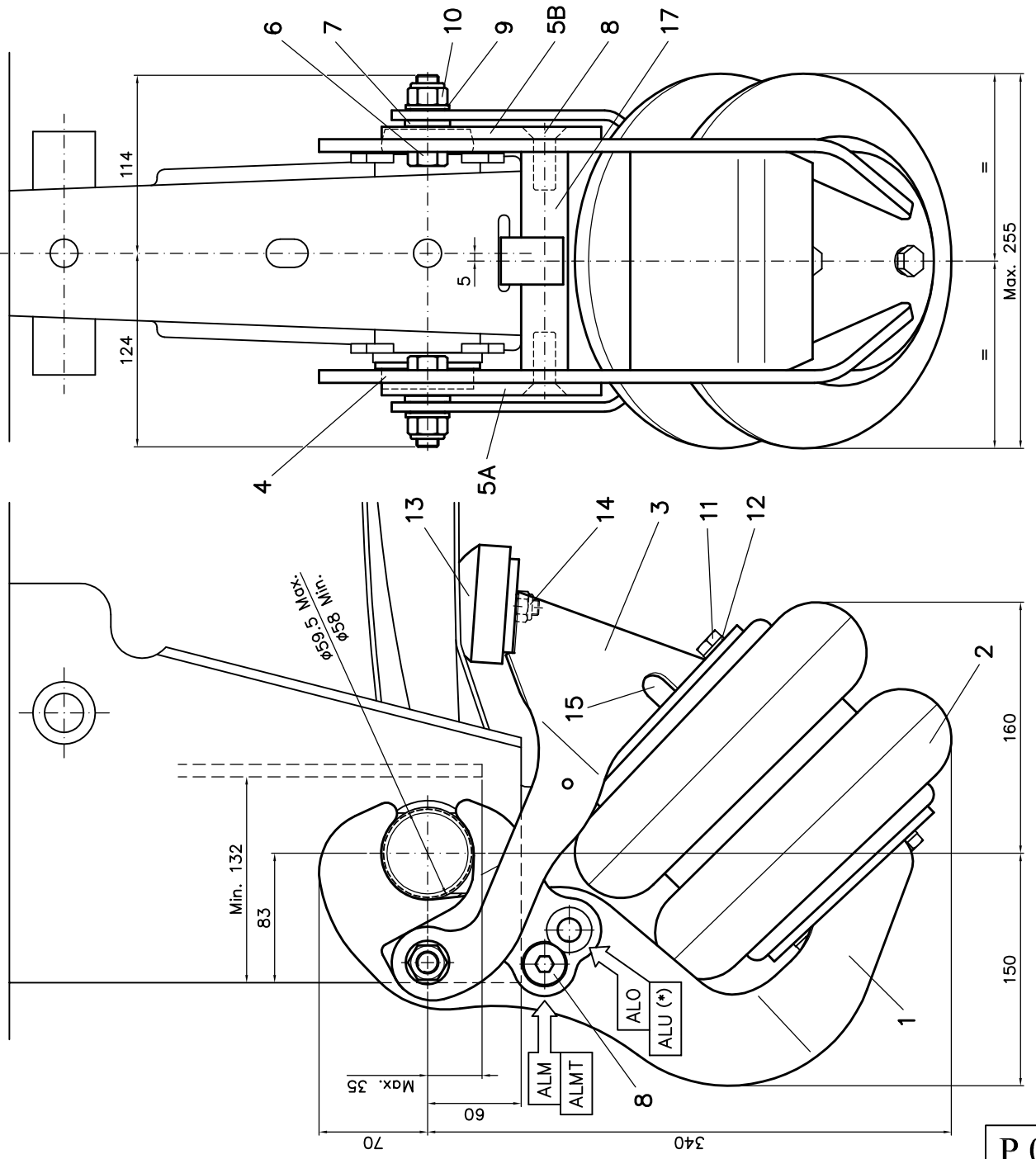
For Welded or Bolted
Hanger Bracket

Quick Assembly

PROCEDURE FOR INSTALLATION ON VEHICLE

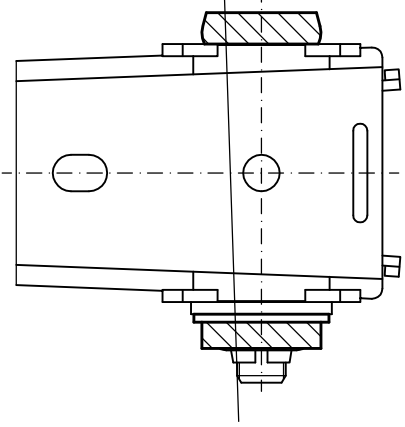
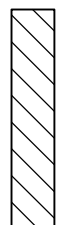
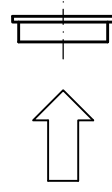
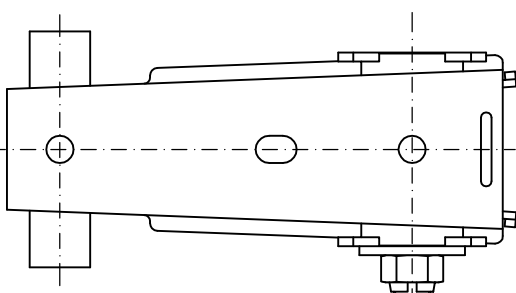
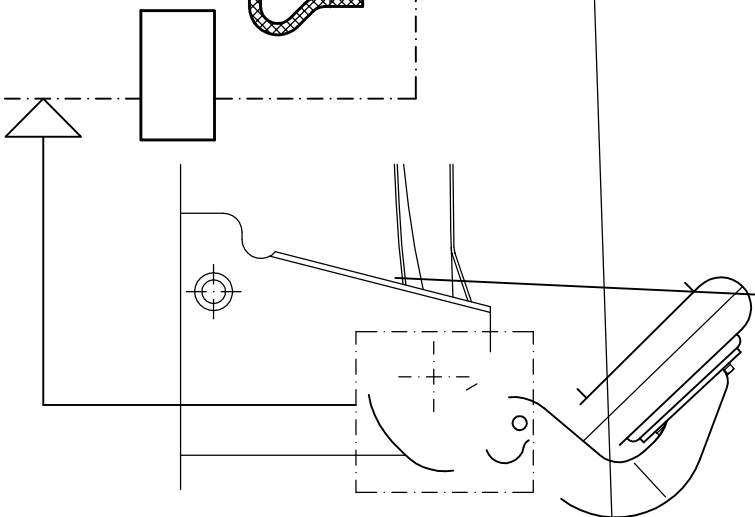
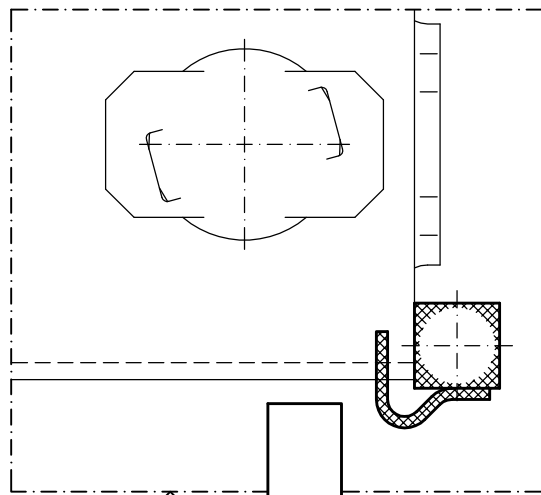
- 1) Install Spacer (4), included into the kit, over the original nut of pivot bolt, with great diameter in contact with original washer.
- 2) Dismantle support bar (17) and bolts (8) from lower bracket (1) of axle lift kit.
- 3) Press down the air spring (2) and fit a plastic plug on the fitting (15) to keep it compressed.
- 4) Insert axle lift kit through front side of suspension bracket and hang it, by means of his hooks, from external head of pivot bolt and special spacer (4) previously installed.
- 5) Place the support bar (17) between lateral corresponding holes of lower bracket (1) according to suspension type (see utilization notes).
- 6) Rotate the Lock parts (5A,5B) to align its two holes with corresponding holes at lower bracket (1) and insert Bolts (8) to be screwed at both sides of support bar (17).
- 7) Remove plastic plug previously installed on the fitting (15) of the air spring (2).
- 8) When support bar (17) is perfectly resting under suspension bracket base, screw up the bolts (8). (Torque Setting (dry): 120 Nm)
(Note: We can use a little air pressure on below to get the perfect resting of support bar (17) before the definitive squeeze of the bolts (8)).

MAX. OPERATING AIR PRESSURE 8 BAR

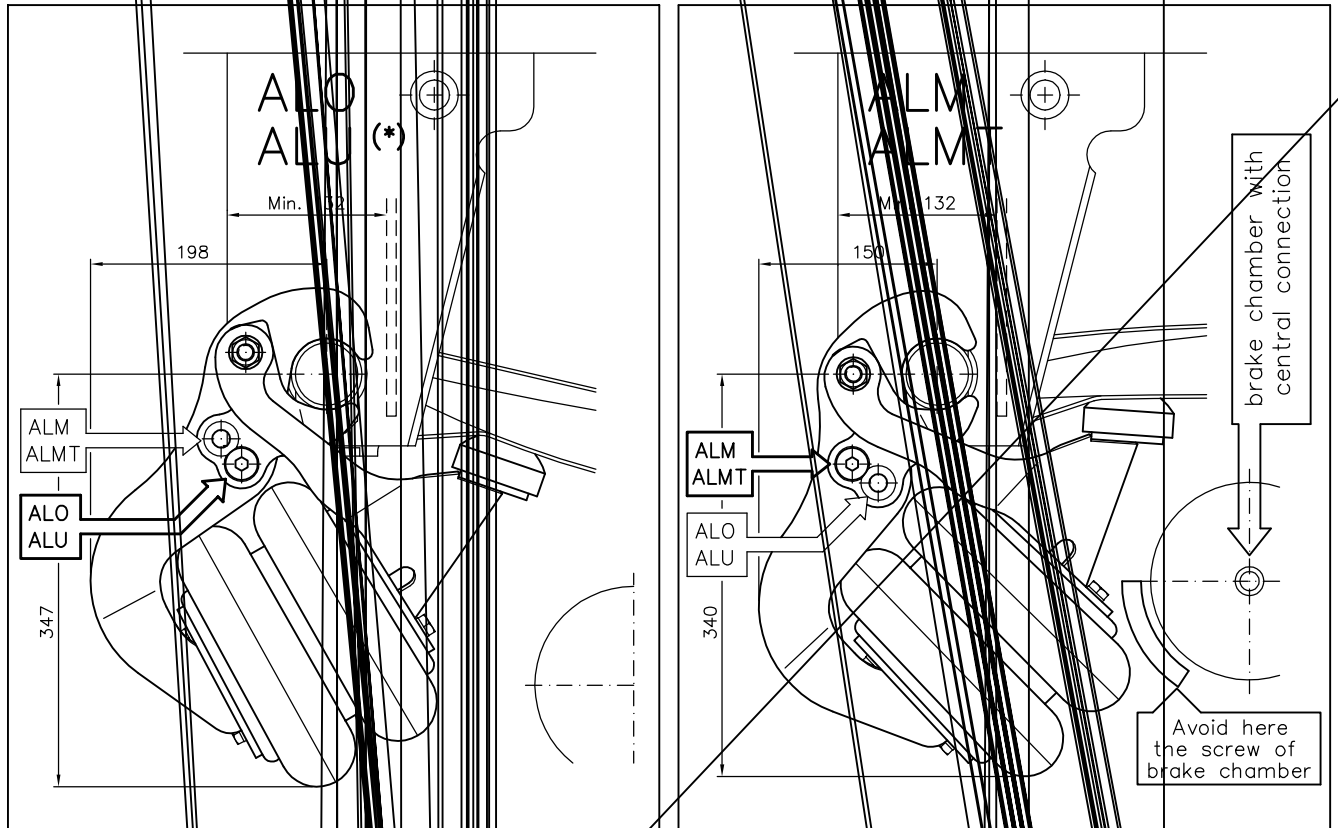


Part No.	Description	Material	Dimensions	Reference	Code
2	Support bar	17	A/Draw. EBP3-17		EBP3-17
4	Push-in Fitting R1/4"-T8	15	A/R. NORGREEN	101470828	EDD1-14
4	Self Locking Nut	14	A/R. M10X1.5	DIN985 Zinc.	EDD1-21
2	Rubber Bumper	13	A/Draw. EBL1-09		EBL1-09
8	Grover Washer	12	A/R. M10	DIN127 B Zinc.	EDD1-22
8	Bolt	11	A/R. M10x1.5xL=25	DIN933 8.8 Zinc.	EDD1-20
4	Self Locking Nut	10	A/R. M14x2.0	DIN985 Zinc.	EBL8-10
4	Plain Washer	09	A/R. M14	DIN125 Zinc.	EBM9-16
4	Bolt	08	A/R. M14x2.0xL=40	DIN7991 10.9 Zinc.	EBP3-08
4	Arm Bearing	07	A/Draw. EBP3-07		EBP3-07
4	Bolt	06	A/R. M14x2.0xL=50	DIN931 8.8 Zinc.	EBP3-06
2	Left Lock	05B	A/Draw. EBP3-35B		EBP3-35B
2	Right Lock	05A	A/Draw. EBP3-35A		EBP3-35A
2	Spacer	04	A/Draw. EBP3-04		EBP3-04
2	Upper Bracket	03	A/Draw. EBP3-03		EBP3-03
2	Air Spring	02	A/R. CONITECH	FD200-22	EDD1-02C
2	Lower Bracket	01	A/Draw. EBP3-31		EDD1-01C
Dimension	Denomination	Numb.	Dimensions	Reference	Code

Drawn	171209	A.MORENO	ACCEVAL ACCESORIOS Y ELEVAADORES VALENCIA, S.L.
Approved	171209	A.MORENO	
Last Rev.	100113	A.MORENO	
Scale			
AXLE LIFT KIT ADAPTABLE TO BPW AIRLIGHT II SUSPENSIONS			
			Draw. Numb. EBP3-00AE
(From Sept-2007, ø24mm Pivot Bolt)			



EBP-3: INTALLATION DIMENSIONS ON BPV ARLIGHT II



EBP-3: "ALU" TYPE UTILIZ. ACCORDING TO WHEELS DIMENS.

WHEEL	R.H. 215-255 (MIN. F.H. 130)	L.H. 245-290 (F.H. 160)	MIN. 270-300 (MIN. F.H. 182)
275/70 R19.5	YES	YES	YES
275/70 R17.5	NO	YES	YES
275/70 R15.5	NO	YES	YES
435/50 R19.5	NO	NO	NO
445/40 R19.5	NO	NO	NO
275/70 R22.5	NO	NO	YES
265/70 R19.5	NO	NO	NO

