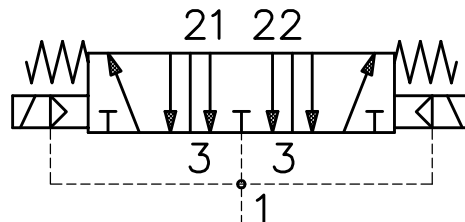
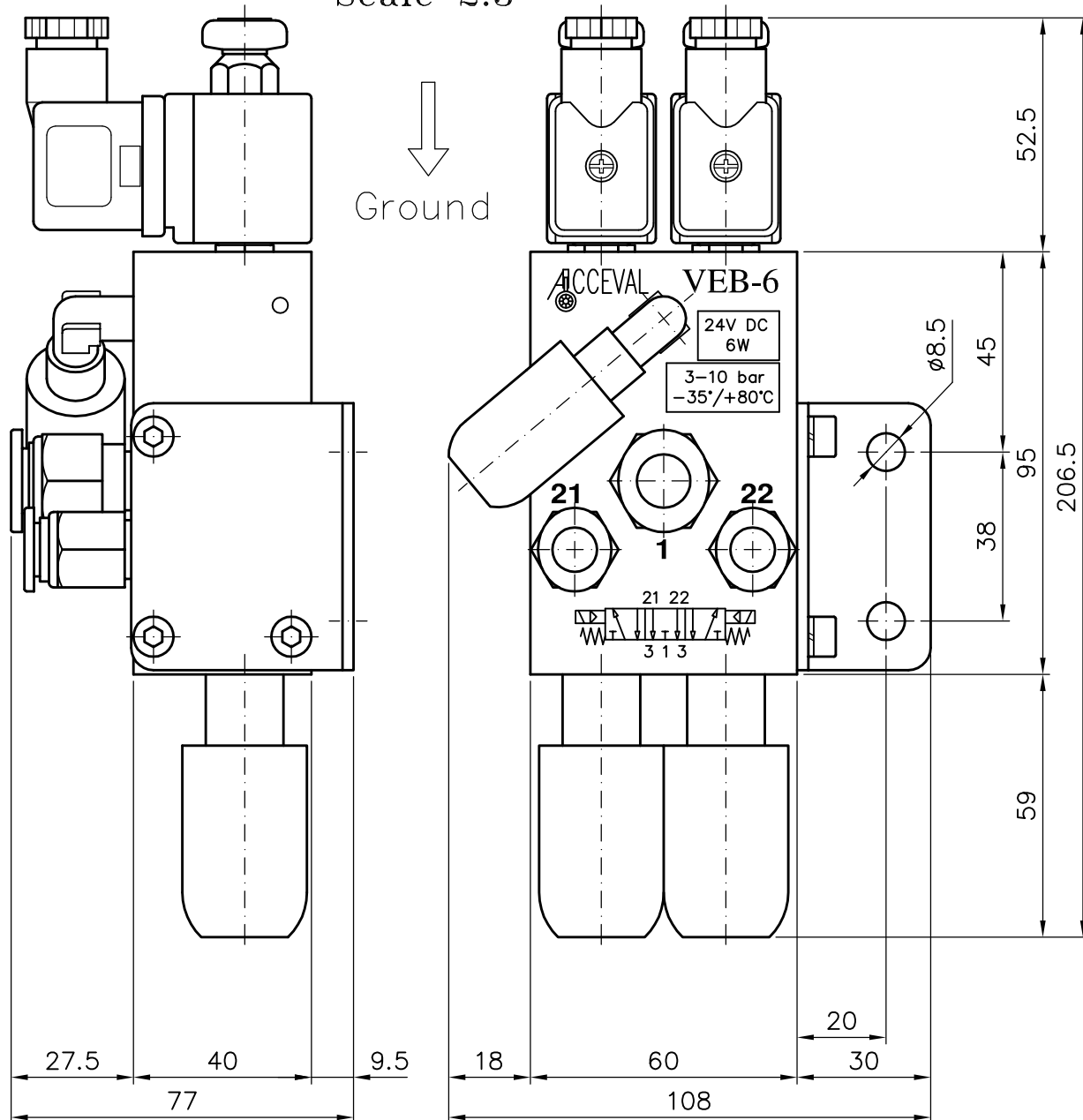


ACCEVAL VEB-6

5/3 SOLENOID OPERATED
VALVE (OPEN CENTERS)
SOLENOID-SOLENOID
R1/4" PORTS



Scale 2:3



WORKING SPECIFICATIONS

- * Max. working pressure: 10 bar.
- * Min. working pressure: 3 bar.
- * Safe static pressure: 15 bar.
- * Temp. range.: from -35°C to $+80^{\circ}\text{C}$.
- * Electrical details: 24V DC 6W.
- * Protection class: IP 65 (DIN40050).
- * Electrical duty: 100%.
- * Electrical connectors: DIN43650.
- * Electromagnetic compatibility (EMC) according to 89/336/CEE.
- * Low voltage equipment (LVD) according to 73/23/CEE.

PNEUMATICAL CONNECTIONS

Port n.1

- * Push-in fitting for 12 mm tube.
(Optional: for 10 or 8 mm tubes)

Ports n.21 y n.22

- * Push-in fittings for 10 mm tube.
(Optional: for 8 mm tube)

Ports n.3 (Exhaust) and breathing

- * Filter + filter cover.

Exhaust port of solenoid valve

- * Rubber cup protection.