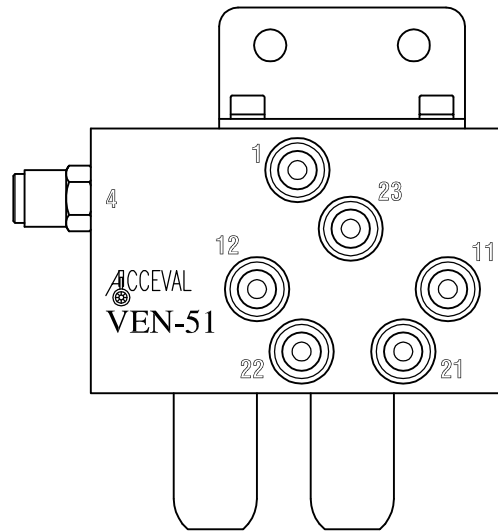


Acceval VEN-51



Lift Axle Control Valve
Pneumatically Commanded
From EBS System

For Suspensions with
Double Circuit

AC

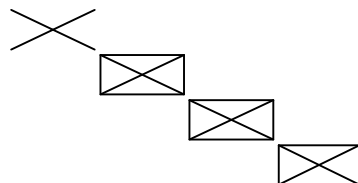
LIFT AXLE CONTROL VALVE FOR
EBS SYSTEM WITH AIR OPERATION
(SUSPENSION: DOUBLE CIRCUIT)

EXTERNAL DIMENSIONS

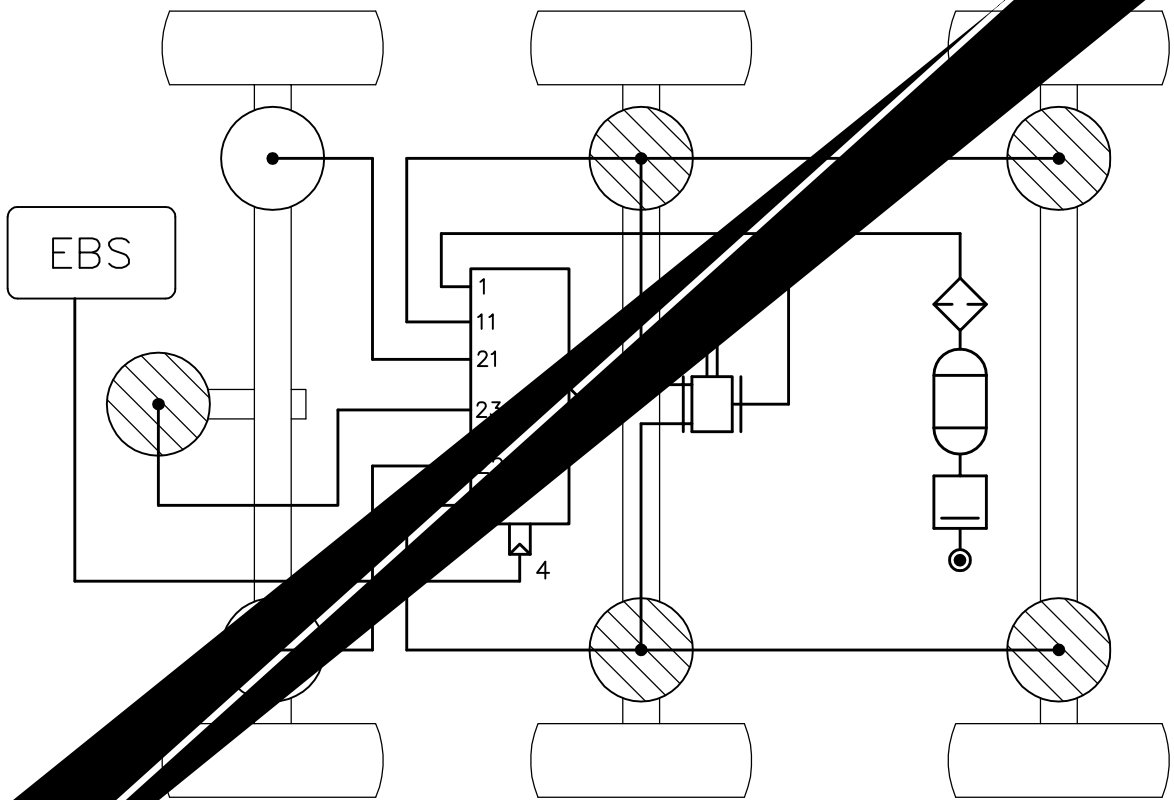
VER

div

0mm 10mm 5/16 3/8



ACCEVAL VEN-51
 BASICAL CONNECTIONS SCHEME
 (Suspension: Double Circuit)



NEUMATICAL SCHEME
 (Suspension: Double Circuit)

