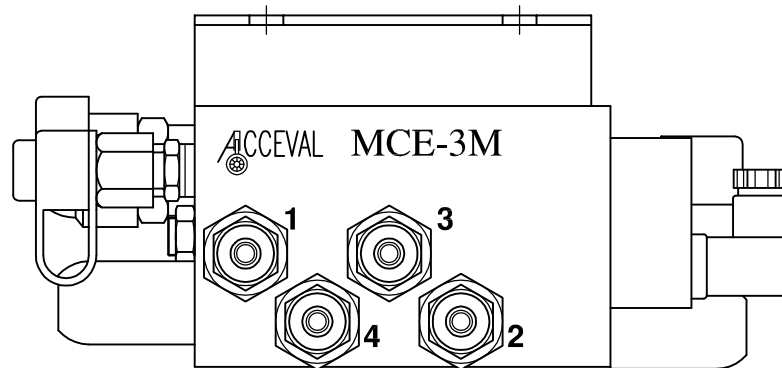


# *Acceval* MCE-3M



Lift Axle Control Valve  
With Automatic Drop Function

Independent of EBS System

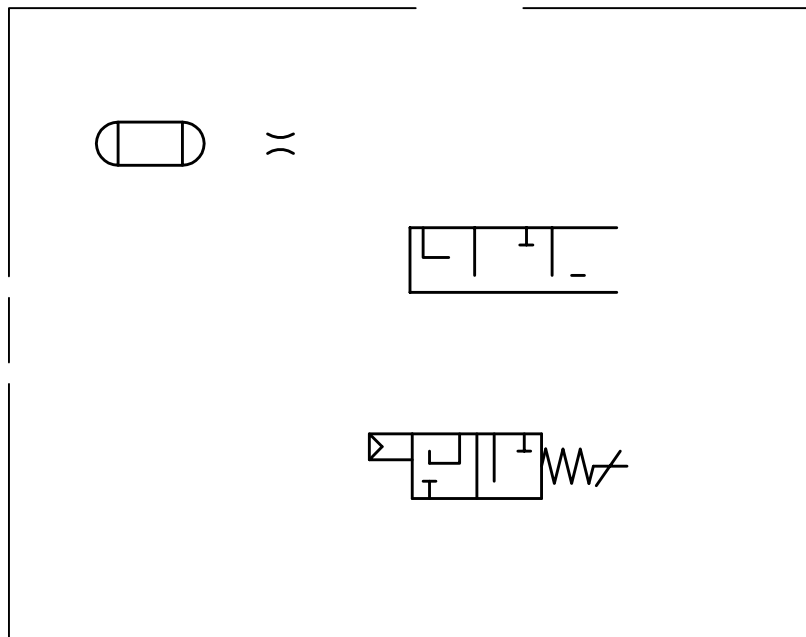
For Suspensions with  
Single Circuit

Full Automatic

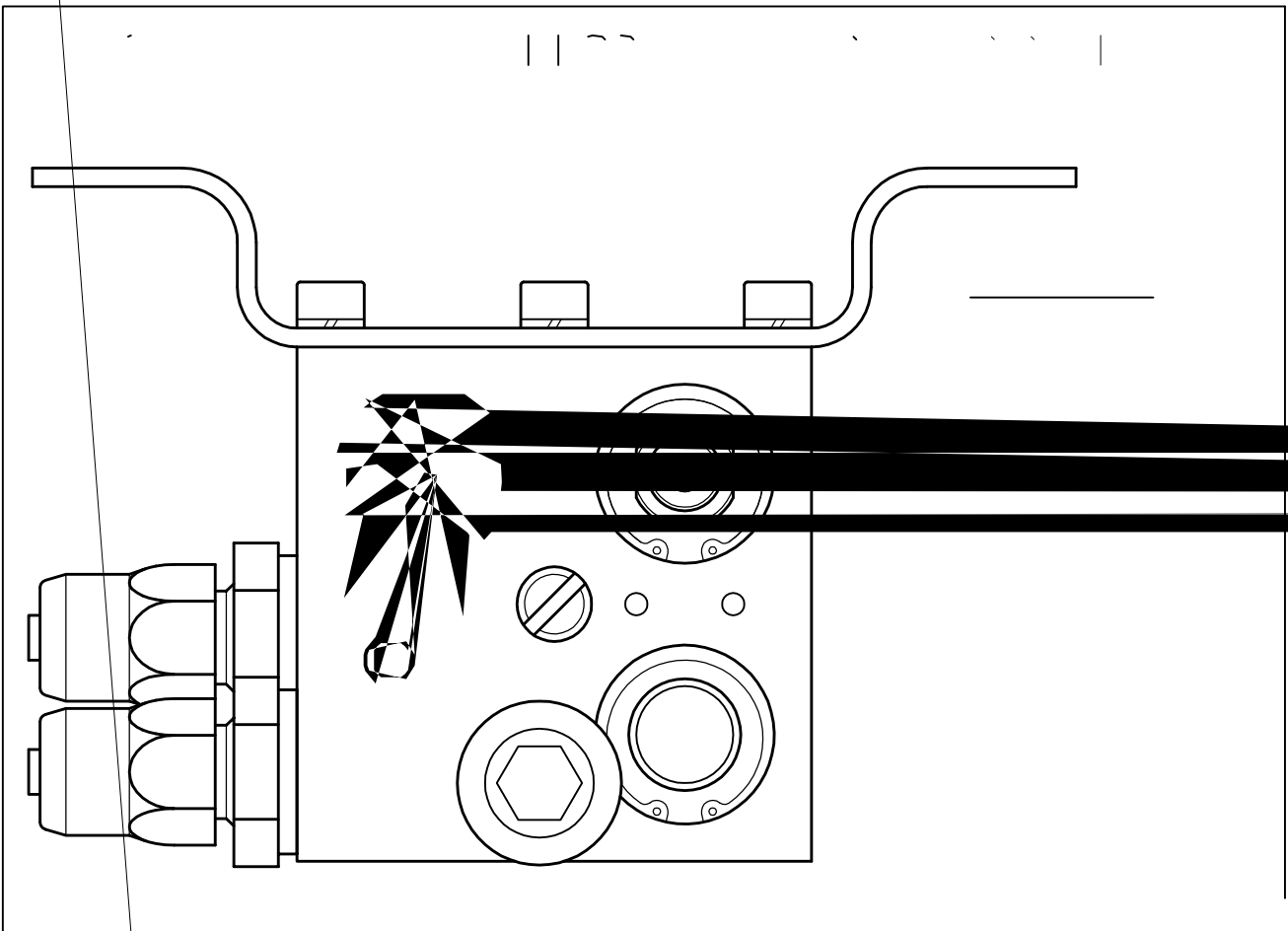
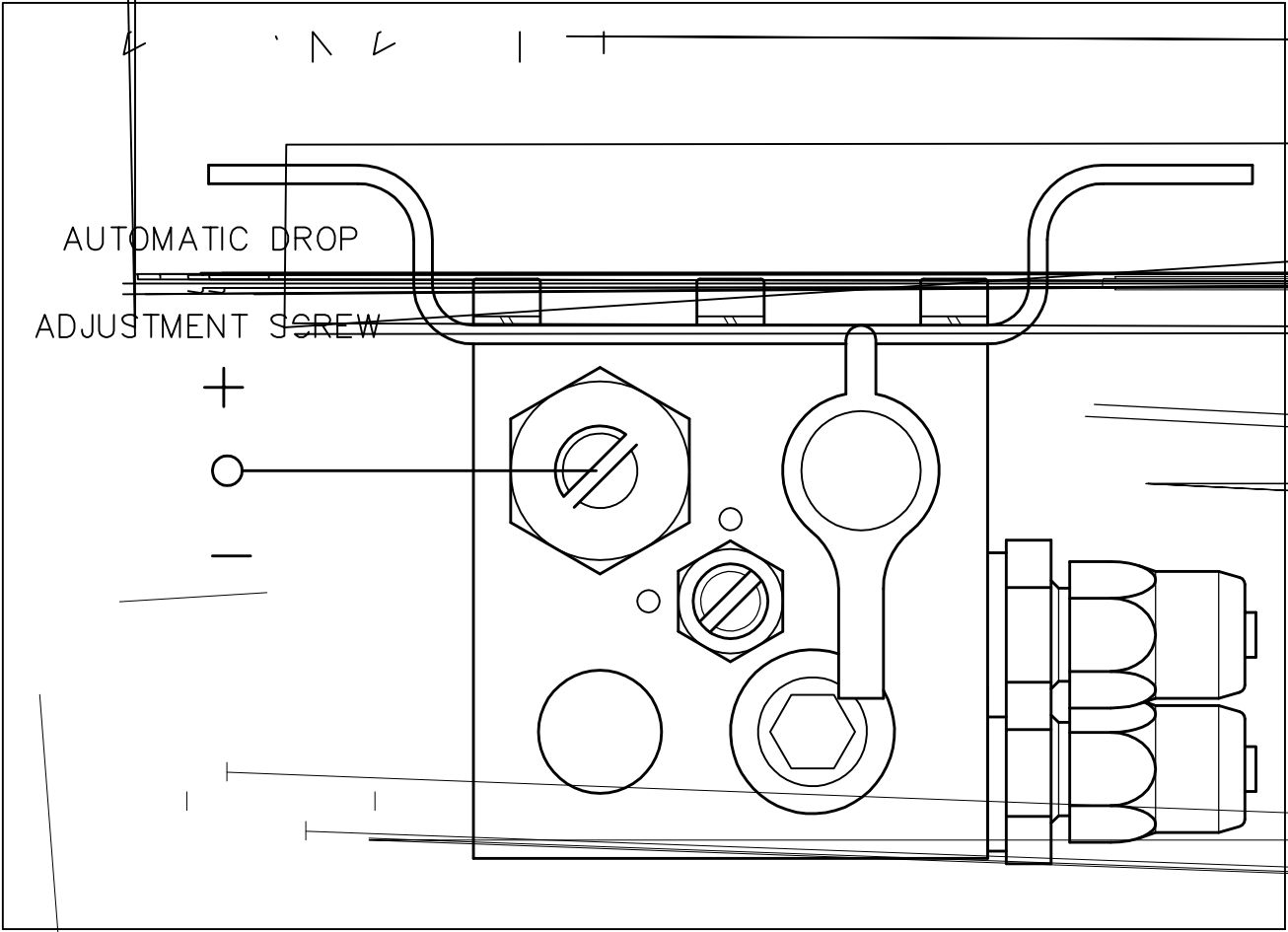
Traction Help Function



|| ||



# ACCEVAL MCE-3M ADJUSTMENT SCREWS



ACCEVAL MCE-3M  
PRACTICAL SETTING VALUES

Automatic

