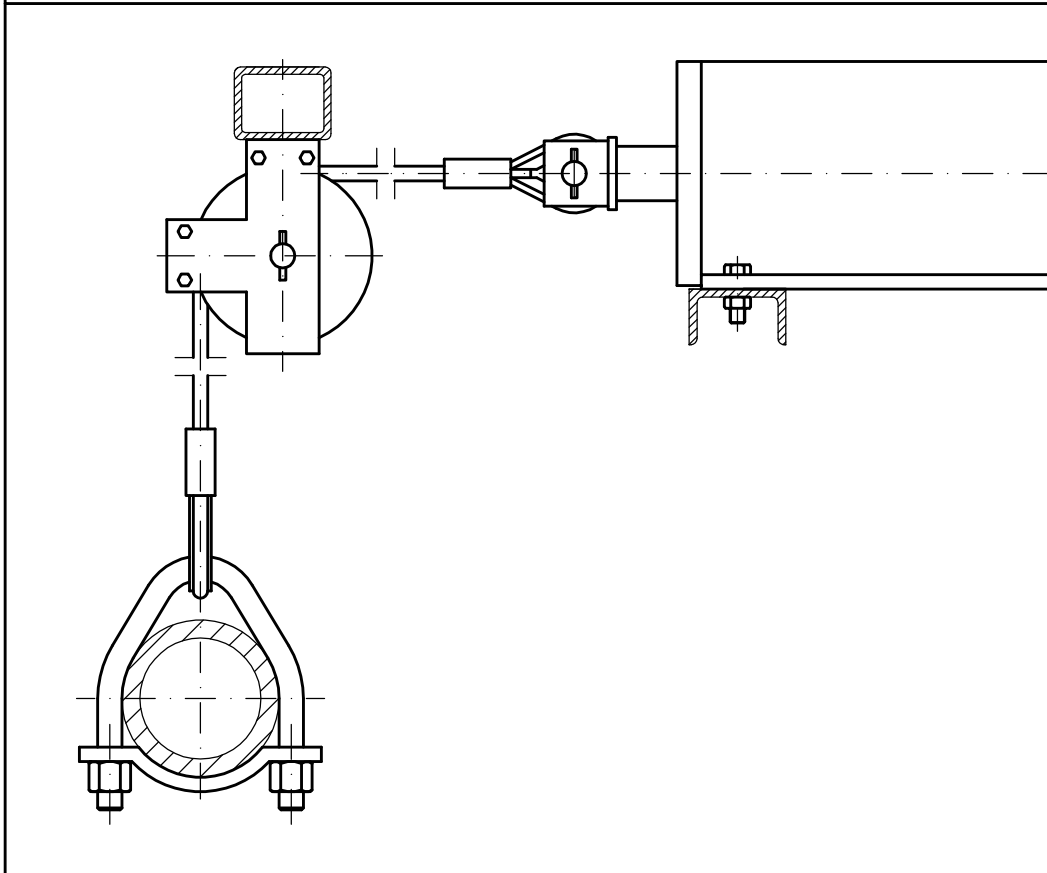


Acceval ESN



Universal Axle Lift Kit
for Trailers with
Pneumatic Suspensions

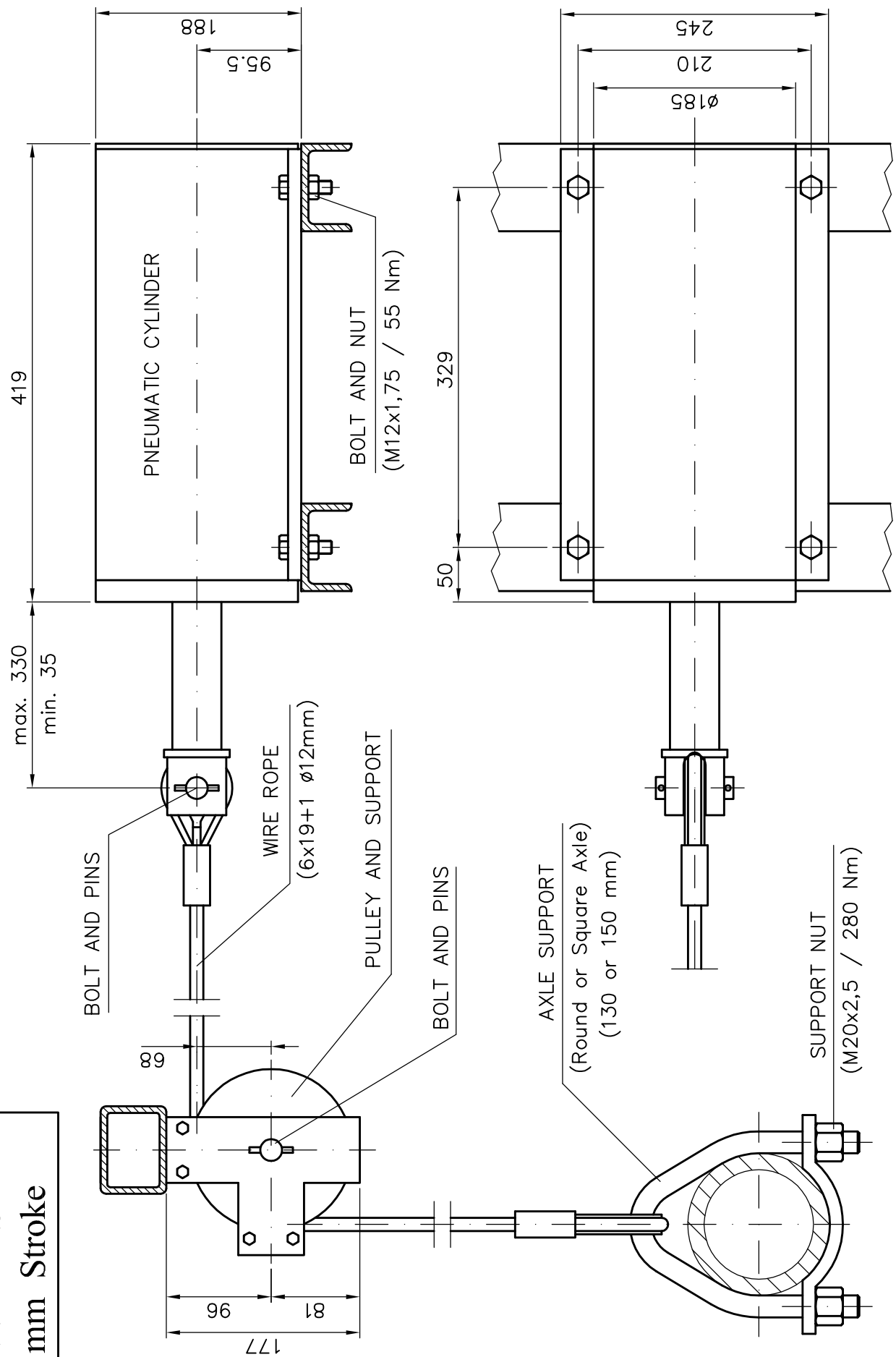
ESN-1: Standard Stroke.

ESN-2: Large Stroke.

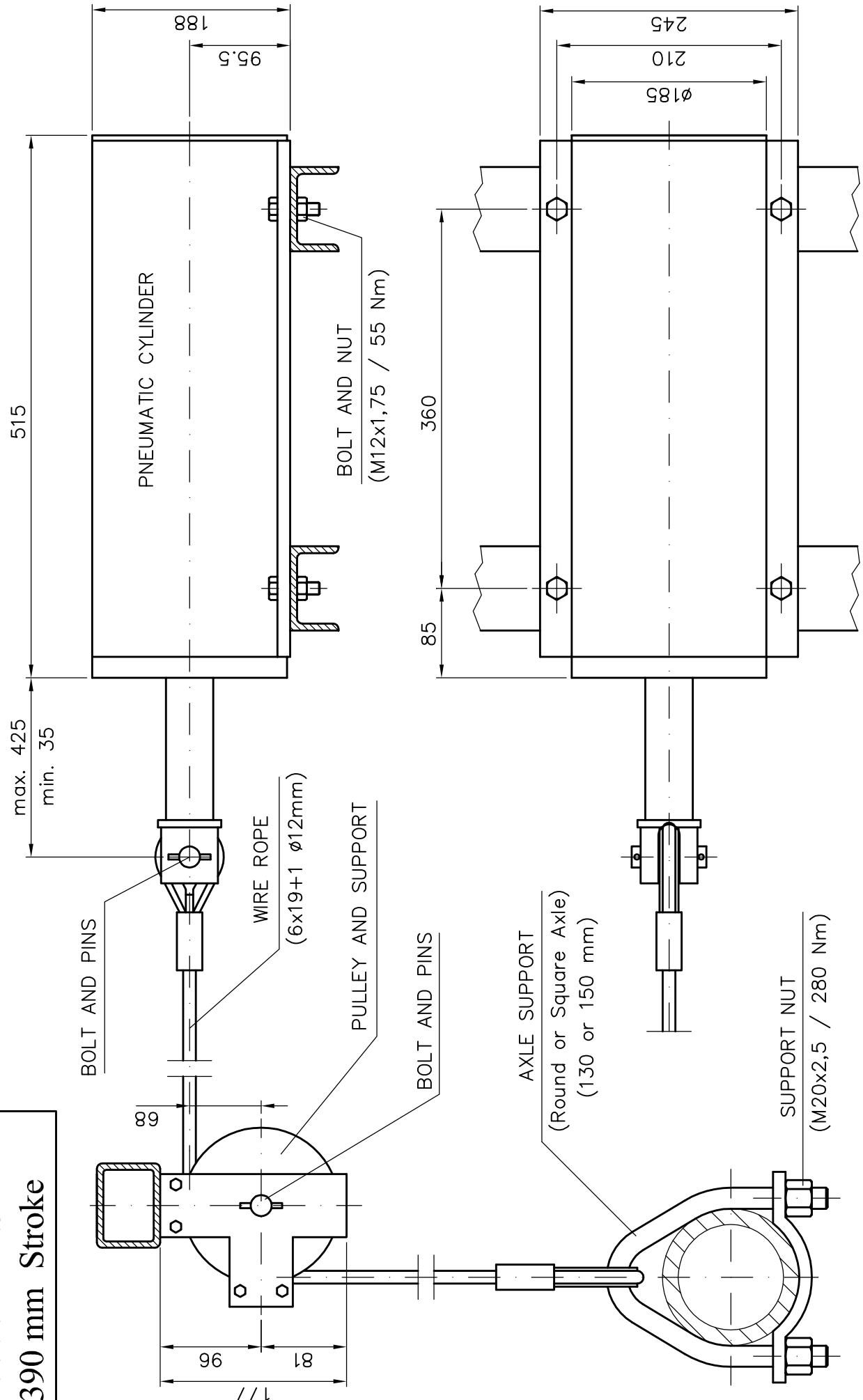
ESN AXLE LIFT KIT SPECIFICATIONS

APPLICATION	AIR SUSPENDED MULTIPLE
LIFTING DEVICE	
CYLINDER MATERIAL	
ROD MATERIAL	
PISTON MATERIAL	
WORKING AREA	
CYLINDER FORCE (6-8 BAR)	
MAXIMUM STROKE	
CYLINDER WEIGHT	
SCREW FOR PIPE FITTING	
TRACTION ELEMENT	
WIRE WORKING LOAD	
WIRE LENGTH	
WIRE DEFLECTOR DEVICE	
AXLE SUPPORT	

Acceval ESN-1
295 mm Stroke



Acceval ESN-2
390 mm Stroke



SPECIAL SMALL PULLEY FOR ULTRA-LOW VEHICLES

