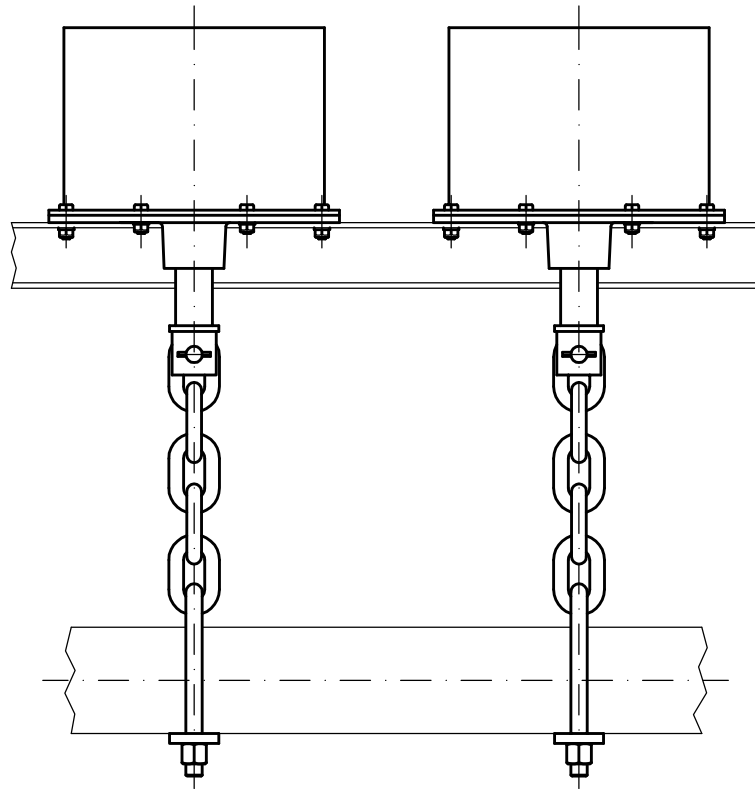


# *Acceval* ESB



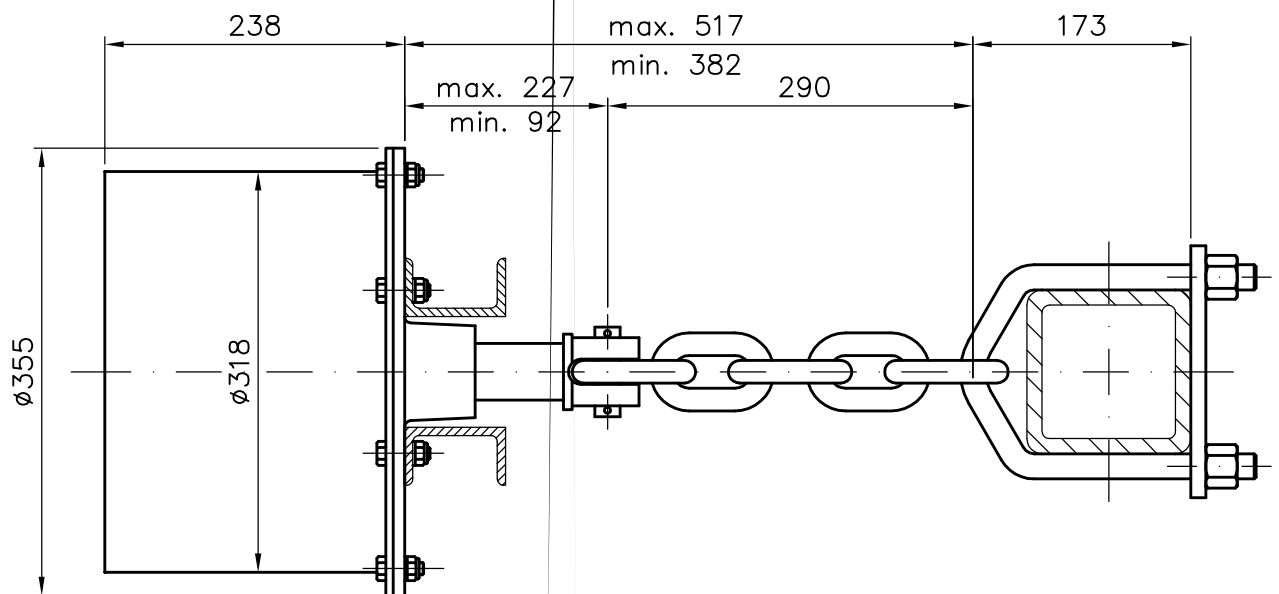
Universal Axle Lift Kit  
for Trailers with  
Mechanic Suspensions

# ESB-1 AXLE LIFT KIT SPECIFICATIONS

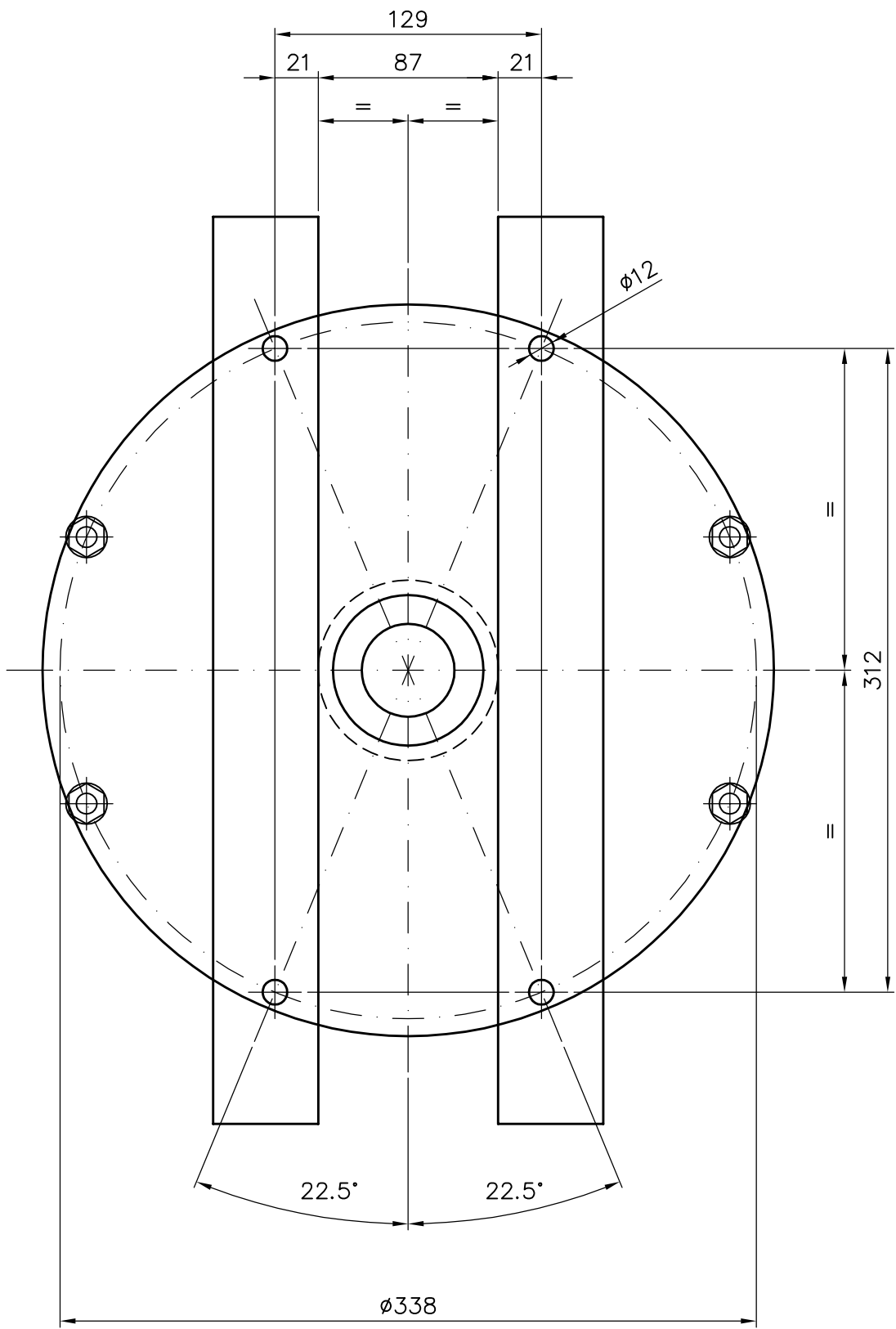
APPLICATION	
LIFTING DEVICE	
CYLINDER MATERIAL	
ROD MATERIAL	
PISTON MATERIAL	
WORKING AREA	
CYLINDER FORCE (6-8 BAR)	
SCREW FOR PIPE FITTING	

--

--



ESB-1 ANCHORING DIMENSIONS



SCALE 1:3