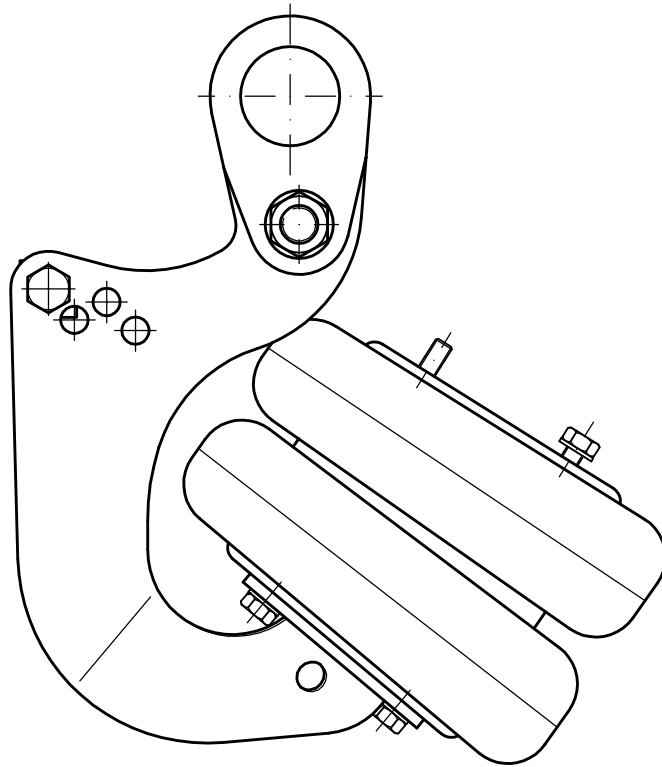


Acceval EBQ-6



Axle Lift Kit for
SAF INTRA Series
Suspensions

For Welded or Bolted
Hanger Bracket

Quick Assembly

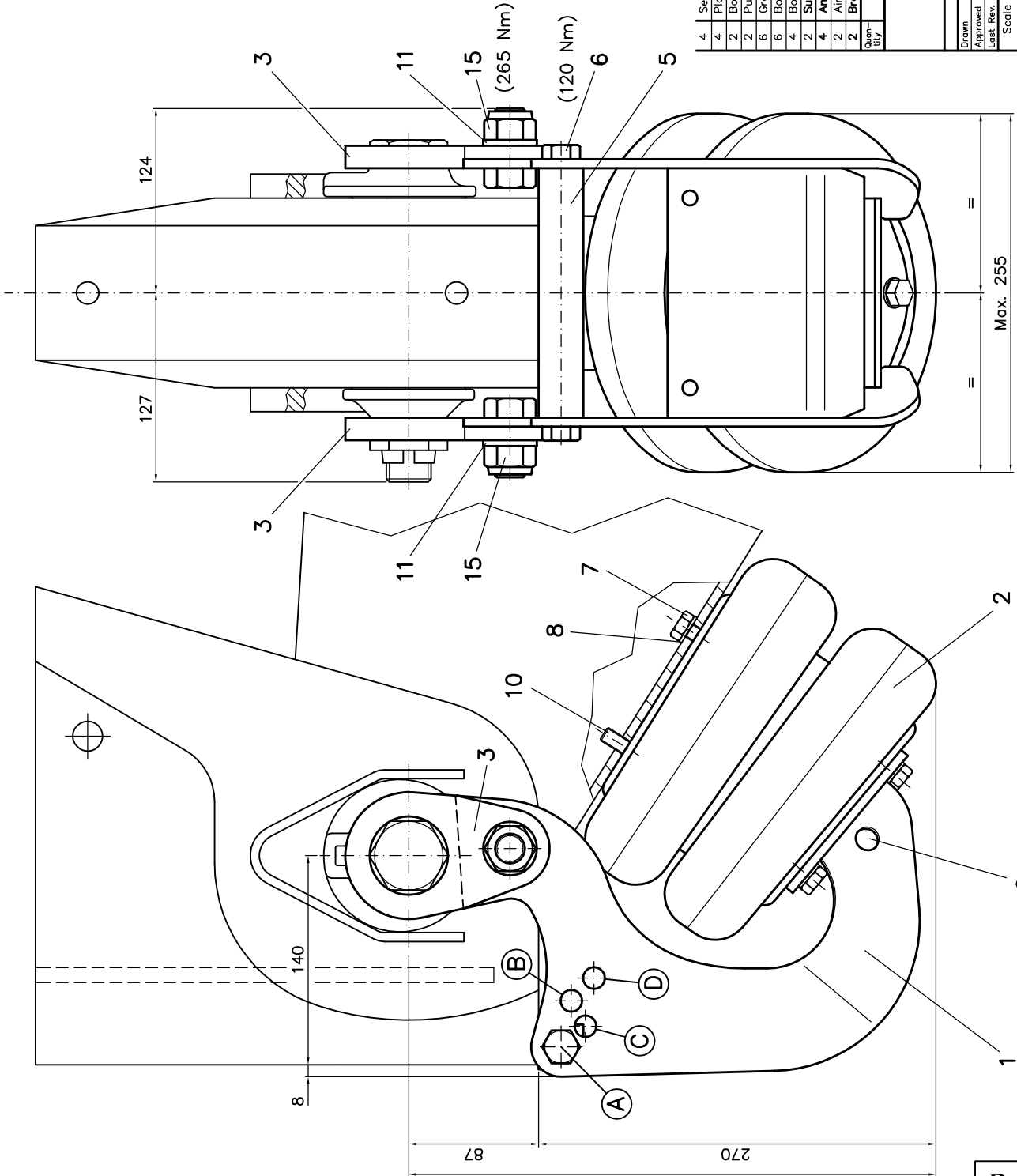
UTILIZATION OF THIS AXLE LIFT KIT

- * For SAF INTRA Series Suspensions:
 - + SAF INTRADISC plus INTEGRAL (IU+IO).
 - + SAF INTRADRUM (IU+IO).
- * For Welded or bolted (Screw-On version) "Steel" Hanger Bracket.
- * Not for "Cross Member" Bracket or "Aluminium" Hanger Bracket versions.
- * Utilization with "IU" versions depends on the type of tires (See enclosed document).

ADJUSTMENT SELECTION

- POSITION (A)**
* All "IU" types, except. IU42/..41 & IU../..47.
- POSITION (B)**
* IU32/..47, IU37/..47, IU42/..47, & IU27/..47 V90.
- POSITION (C)**
* All "IO" types, excepting IO../..47.
- POSITION (D)**
* IU42/..41, IU30/..47, IU35/..47, & IU40/..47.
* IO45/..47 & IO50/..47.

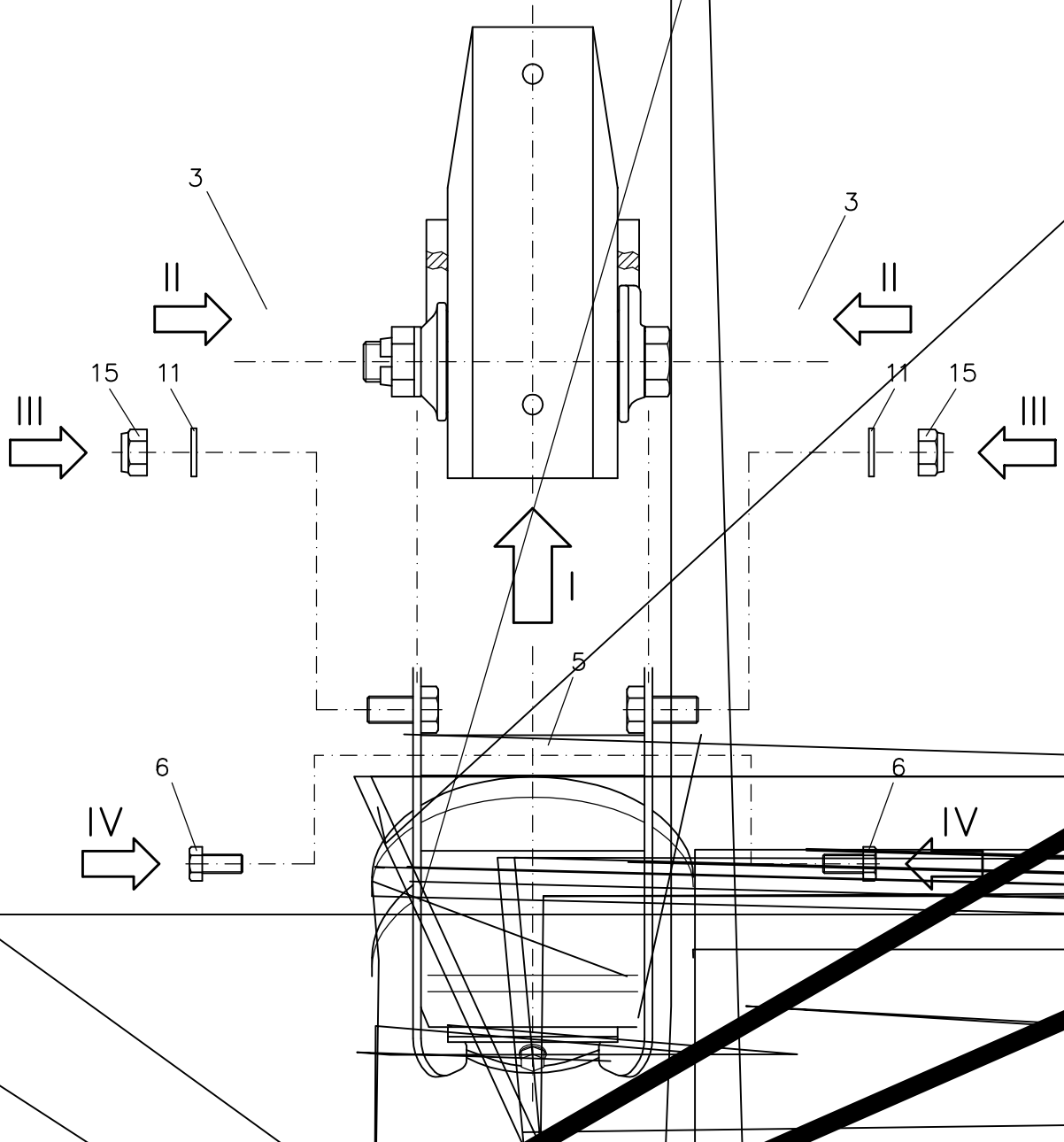
MAX. OPERATING AIR PRESSURE 8 BAR



4	Self-Locking Nut	15	A/R. M20x2,5	DIN985 Zinc	105013
4	Plain Washer	11	A/R. M20	DIN125 Zinc	EN66-11
2	Bolt	10	A/R. M10x1.5xL=40	DIN916-45H Zinc	EDD6-10
2	Push-in Fitting R1/4-T8	09	A/R. NORGREN	101470828	EDD1-14
6	Grower Washer	08	A/R. M10	DIN127 B Zinc	EDD1-22
6	Bolt	07	A/R. M10x1.5xL=25	DIN933 8.8 Zinc	EDD1-20
4	Bolt	06	A/R. M14x2.0xL=30	DIN933 8.8 Zinc	EEL8-06
2	Support Bar	05	A/Draw. EBP6-05	EBP6-05	EBP6-05
4	Anchoring Plate	03	A/Draw. EBQ6-03	EBQ6-03	EBQ6-03
2	Air Spring	02	A/R. CONITECH	FD200-22	EDD1-02C
2	Bracket	01	A/Draw. EBQ6-01	EBQ6-01	EBQ6-01
Dimensionality		Numbr.	Dimensions	Reference	Code

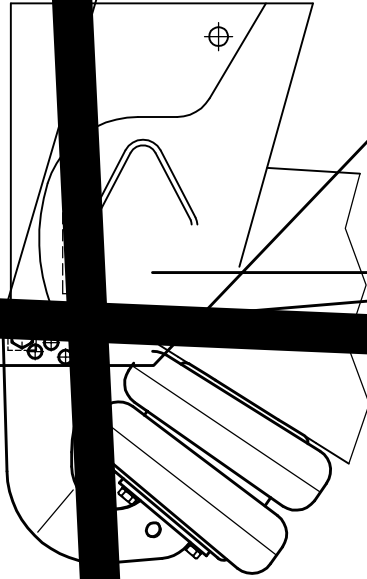
Drawn	Date	Name	ACCEVAL ACCESORIOS Y ELEVADORES VALENCIA, S.L.
Approved	211111	A.MORENO	
Last Rev.	221112	A.MORENO	
Scale			Draw. Numb.
			EBQ6-00AE
			TWIN BAG AXLE LIFT KIT
			ADAPTABLE TO
			SAF INTRA SERIES SUSPENS.

ACCEVAL EBQ-6



4	15	M20x2,5	DIN985 Zinc	105013
4	11	M20	DIN125 Zinc	EBN6-11
4	06	M14x2,0xL=30	DIN933 8.8 Zinc	EFL8-06
2	05	EBP6-05		EBP6-05
1	03	EBQ6-03		EBQ6-03

ACCEVAL EBQ-6



,

SAF INTRA / Edition 2010-02

Suspension	Position
IU25/2000 33	A
IU28/2005 33	A
IU30/2505 33	A
IU33/2510 33	A
IU35/3010 33	A

Suspension	Position
IU25/2000 42	A
IU28/2005 42	A
IU30/2505 42	A
IU33/2510 42	A
IU35/3010 42	A

Suspension	Position
IU29/2000 41	A
IU31/2500 41	A
IU34/2505 41	A
IU36/3005 41	A
IU39/3010 41	A
IU42/3015 41	C

Suspension	Position
IU30/2000 47	C
IU32/2500 47	B
IU35/2505 47	C
IU37/3005 47	B
IU40/3010 47	C
IU42/3510 47	B

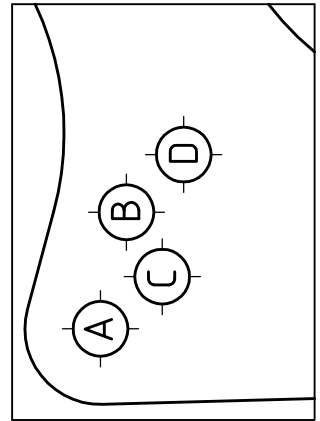
Suspension	Position
IU27/2000 47 V/90	B

Suspension	Position
ID35/2000 33	C
ID37/2500 33	C
ID40/2505 33	C
ID42/3005 33	C
ID45/3010 33	C
ID47/3510 33	C
ID50/3515 33	C

Suspension	Position
ID35/2000 42	C
ID37/2500 42	C
ID40/2505 42	C
ID42/3005 42	C
ID45/3010 42	C
ID47/3510 42	C
ID50/3515 42	C

Suspension	Position
ID44/3000 41	C
ID49/3505 41	C

Suspension	Position
ID45/3000 47	D
ID50/3505 47	D



SAF INTRA / Edition 2000-08 & 2008-08

Suspension	Position
IU25/2000 33	A
IU28/2005 33	A
IU30/2505 33	A
IU33/2510 33	A
IU35/3010 33	A

Suspension	Position
IU25/2000 42	A
IU28/2005 42	A
IU30/2505 42	A
IU33/2510 42	A
IU35/3010 42	A

Suspension	Position
IU25/2000 27	A
IU28/2005 27	A
IU30/2505 27	A
IU33/2510 27	A
IU35/3010 27	A

Suspension	Position
IU29/2000 41	A
IU31/2500 41	A
IU34/2505 41	A
IU36/3005 41	A
IU39/3010 41	A
IU42/3015 41	C

Suspension	Position
IU29/2000 31	A
IU31/2500 31	A
IU34/2505 31	A
IU36/3005 31	A
IU39/3010 31	A
IU42/3015 31	C

Suspension	Position
ID35/2000 33	C
ID37/2500 33	C
ID40/2505 33	C
ID42/3005 33	C
ID45/3010 33	C
ID47/3510 33	C
ID50/3515 33	C

Suspension	Position
ID35/2000 42	C
ID37/2500 42	C
ID40/2505 42	C
ID42/3005 42	C
ID45/3010 42	C
ID47/3510 42	C
ID50/3515 42	C

Suspension	Position
ID35/2000 27	C
ID37/2500 27	C
ID40/2505 27	C
ID42/3005 27	C
ID45/3010 27	C
ID47/3510 27	C
ID50/3515 27	C

Suspension	Position
ID44/3000 41	C
ID49/3505 41	C

Suspension	Position
ID44/3000 31	C
ID49/3505 31	C

Acceval EBQ-6

Utilization with "IU" according to Type of Tires

Minimum Axle Lift Groundclearance (mm): Laden Vehicle and Suspension Without Pressure

	385/65 R22,5"	385/55 R22,5"	385/65 R19,5"	435/50 R19,5"	445/45 R19,5"	275/70 R22,5"	265/70 R19,5"
IU25/2000 33	96	66	57	(25)	(17)	52	(3)
IU28/2005 33	126	96	87	55	(47)	82	(33)
IU30/2505 33	96	66	57	(25)	(17)	52	(3)
IU33/2510 33	126	96	87	55	(47)	82	(33)
IU35/3010 33	96	66	57	(25)	(17)	52	(3)

	385/65 R22,5"	385/55 R22,5"	385/65 R19,5"	435/50 R19,5"	445/45 R19,5"	275/70 R22,5"	265/70 R19,5"
IU25/2000 42	91	61	52	(20)	(12)	(47)	(-2)
IU28/2005 42	121	91	82	50	(42)	77	(28)
IU30/2505 42	91	61	52	(20)	(12)	(47)	(-2)
IU33/2510 42	121	91	82	50	(42)	77	(28)
IU35/3010 42	91	61	52	(20)	(12)	(47)	(-2)

	385/65 R22,5"	385/55 R22,5"	385/65 R19,5"	435/50 R19,5"	445/45 R19,5"	275/70 R22,5"	265/70 R19,5"
IU29/2000 41	116	86	77	(45)	(37)	72	(23)
IU31/2500 41	86	56	(47)	(15)	(7)	(42)	(-7)
IU34/2505 41	116	86	77	(45)	(37)	72	(23)
IU36/3005 41	86	56	(47)	(15)	(7)	(42)	(-7)
IU39/3010 41	116	86	77	(45)	(37)	72	(23)
IU42/3015 41	135	105	96	64	56	91	(42)

	385/65 R22,5"	385/55 R22,5"	385/65 R19,5"	435/50 R19,5"	445/45 R19,5"	275/70 R22,5"	265/70 R19,5"
IU30/2000 47	130	100	91	59	51	86	(37)
IU32/2500 47	104	74	65	(33)	(25)	60	(11)
IU35/2505 47	130	100	91	59	51	86	(37)
IU37/3005 47	104	74	65	(33)	(25)	60	(11)
IU40/3010 47	130	100	91	59	51	86	(37)
IU42/3510 47	104	74	65	(33)	(25)	60	(11)

	385/65 R22,5"	385/55 R22,5"	385/65 R19,5"	435/50 R19,5"	445/45 R19,5"	275/70 R22,5"	265/70 R19,5"
IU27/2000 47 V90	104	74	65	(33)	(25)	60	(11)

Acceval Prescribes a Minimum Groundclearance of 50 mm (See Table).
All Values Below 50 mm are the Responsibility of the Customer.