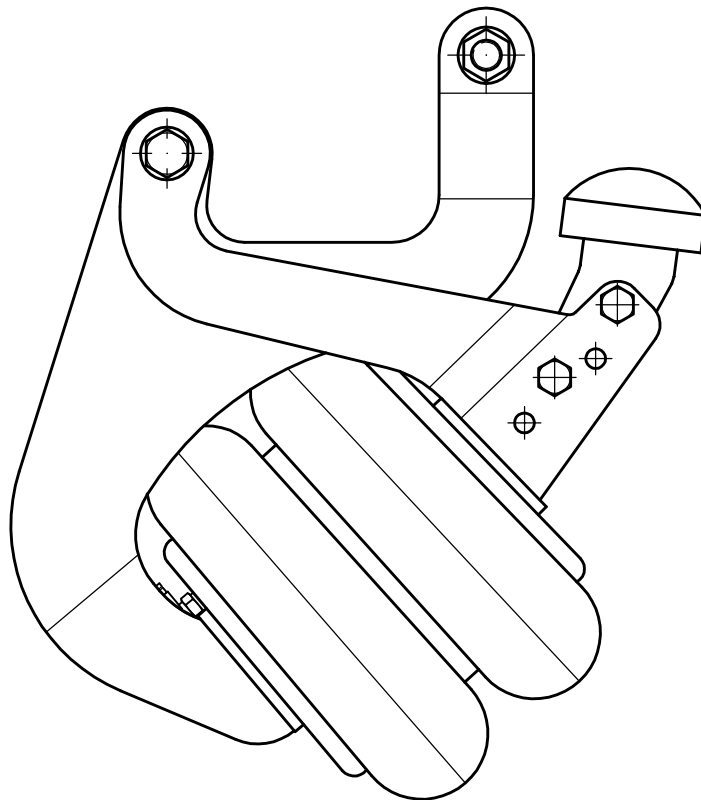
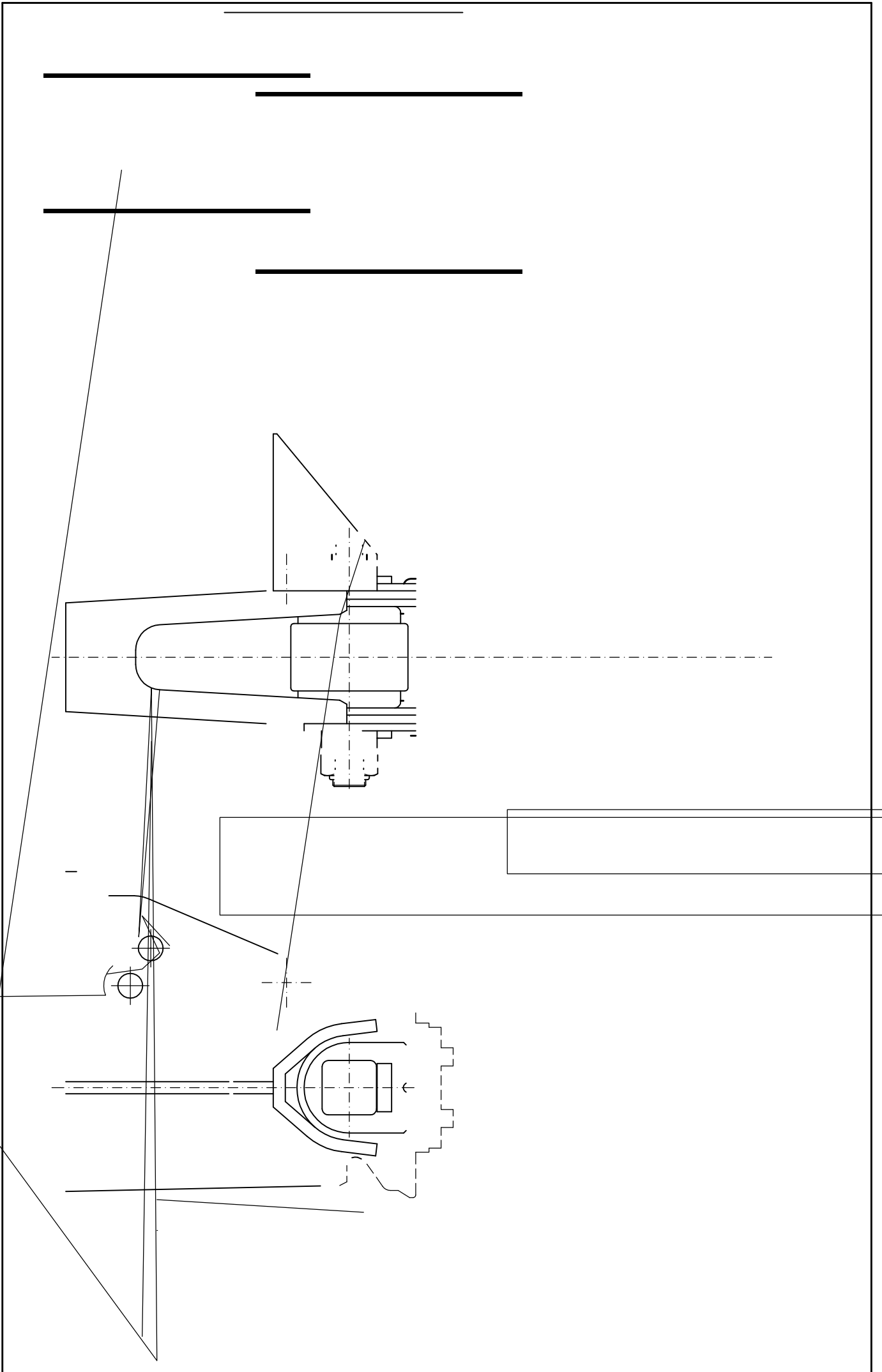


Acceval EBQ-2



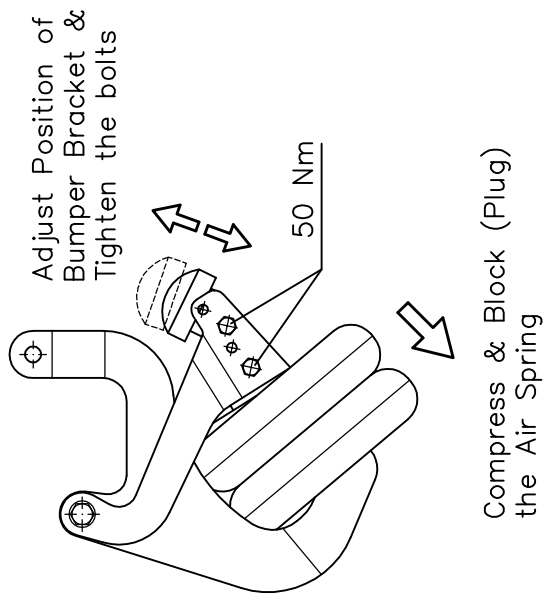
Axle Lift Kit for
VALX MBS-100 & MBS-200
Suspensions

Quick Assembly

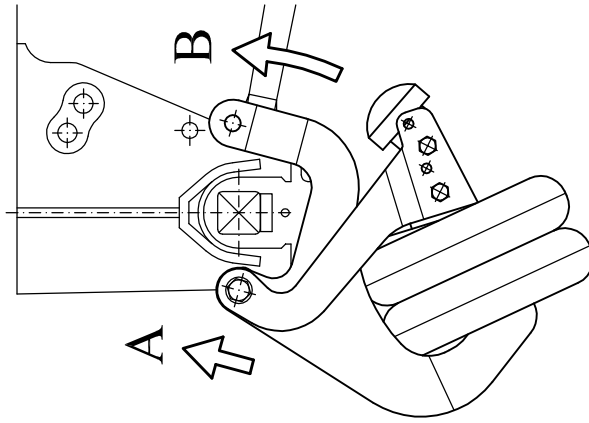


EBQ-2: INSTALLATION ON VALX MBS-100/200 SUSPENSIONS

1- Previous



2- Positioning



Note: Front Side (A) must be Positioned at the beginning.

3- Anchoring

