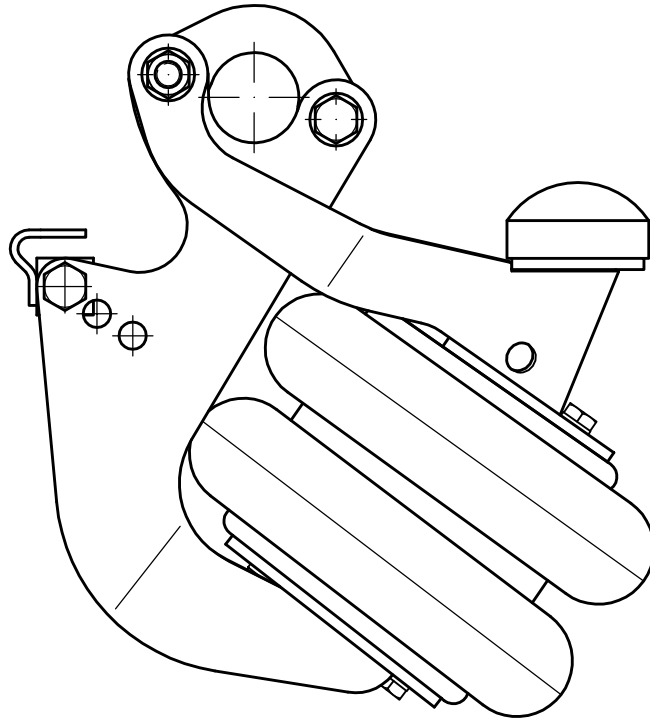


Acceval EBN-8



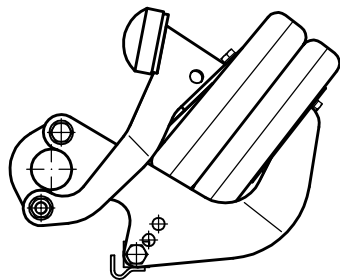
Axle Lift Kit for
Mercedes DCA
Suspensions

Quick Assembly

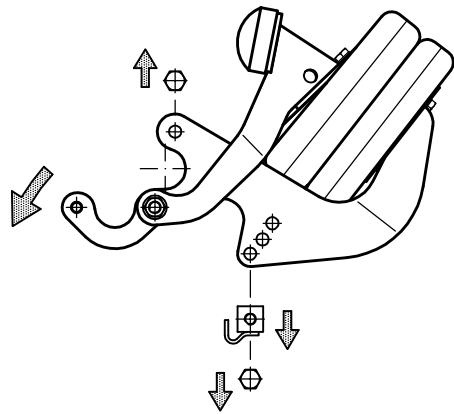
EBN-8

INSTALLATION ON MERCEDES DCA SUSPENSIONS

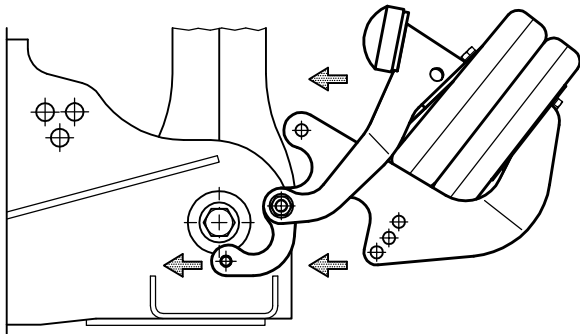
1



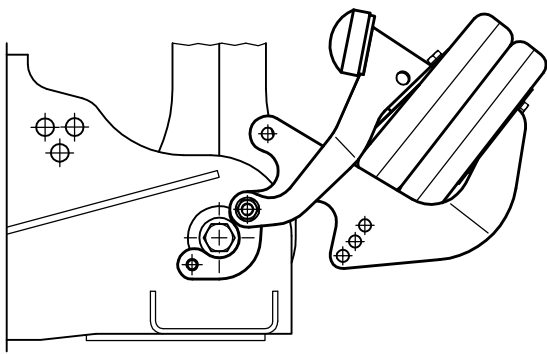
2



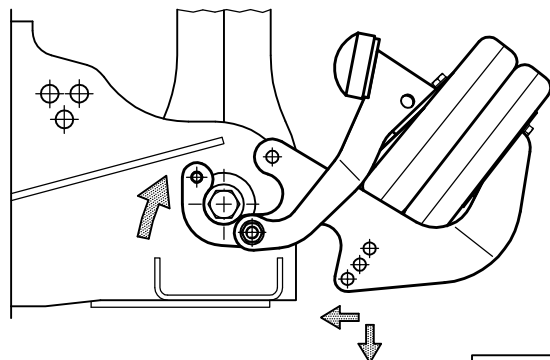
3



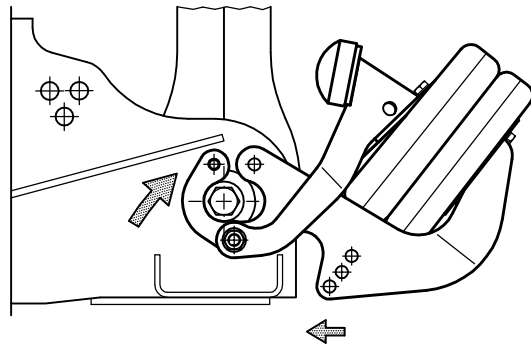
4



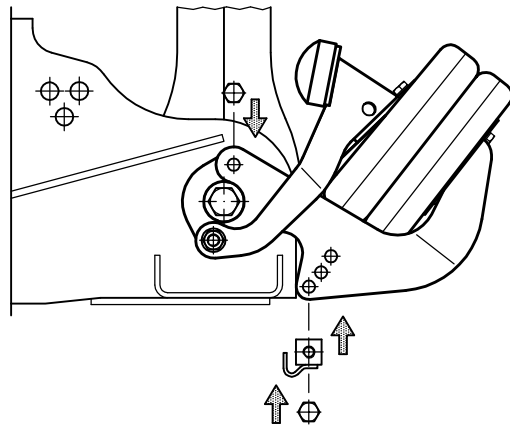
5



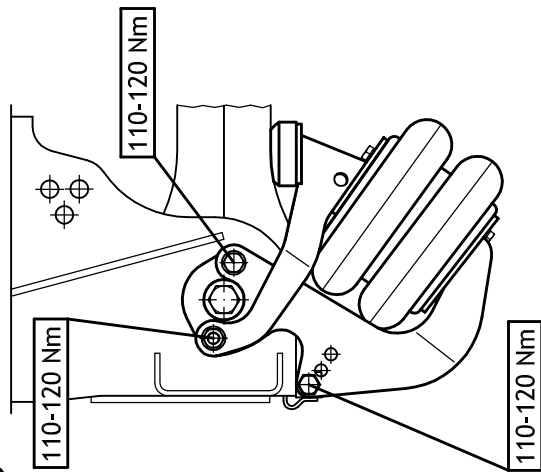
6



7



8



EBN-8

DCA-1000	
RH	AXLE LIFT POSITION
250	A
300	
350	B
400	
450	
500	

DCA-1003	
RH	
280	A
290	
315	B
340	
345	A
360	
430	
440	B
460	

DCA-1005	
RH	
250	
275	A
325	
350	
400	B
425	

DCA-1010	
RH	
270	
310	
355	B
420	
450	

DCA-1016	
RH	
380	
400	C
420	
430	B
450	
470	C

DCA-1015	
RH	
380	
400	C
420	
430	B
450	
470	C

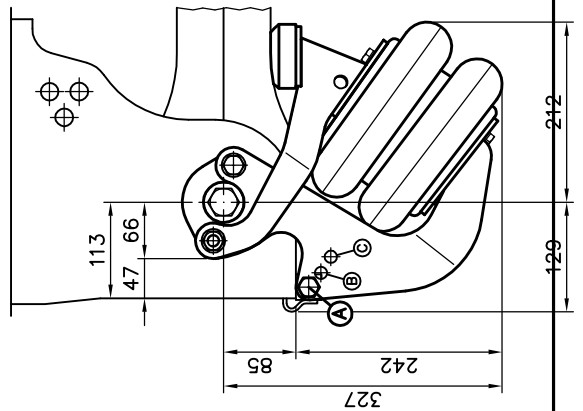
DCA-1020	
RH	
350	B
400	C
430	B
460	C
470	B

DCA-1025	
RH	
380	
430	C
490	
510	

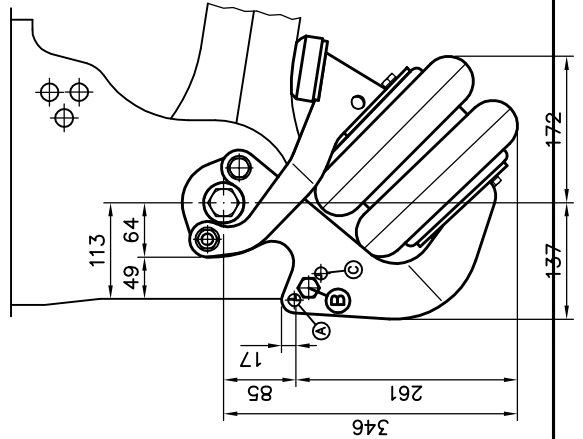
DCA-1021	
RH	
350	B
400	C
430	B
460	C
470	B

DCA-1029	
RH	
380	
430	
490	
510	C

Position "A"



Position "B"



Position "C"

