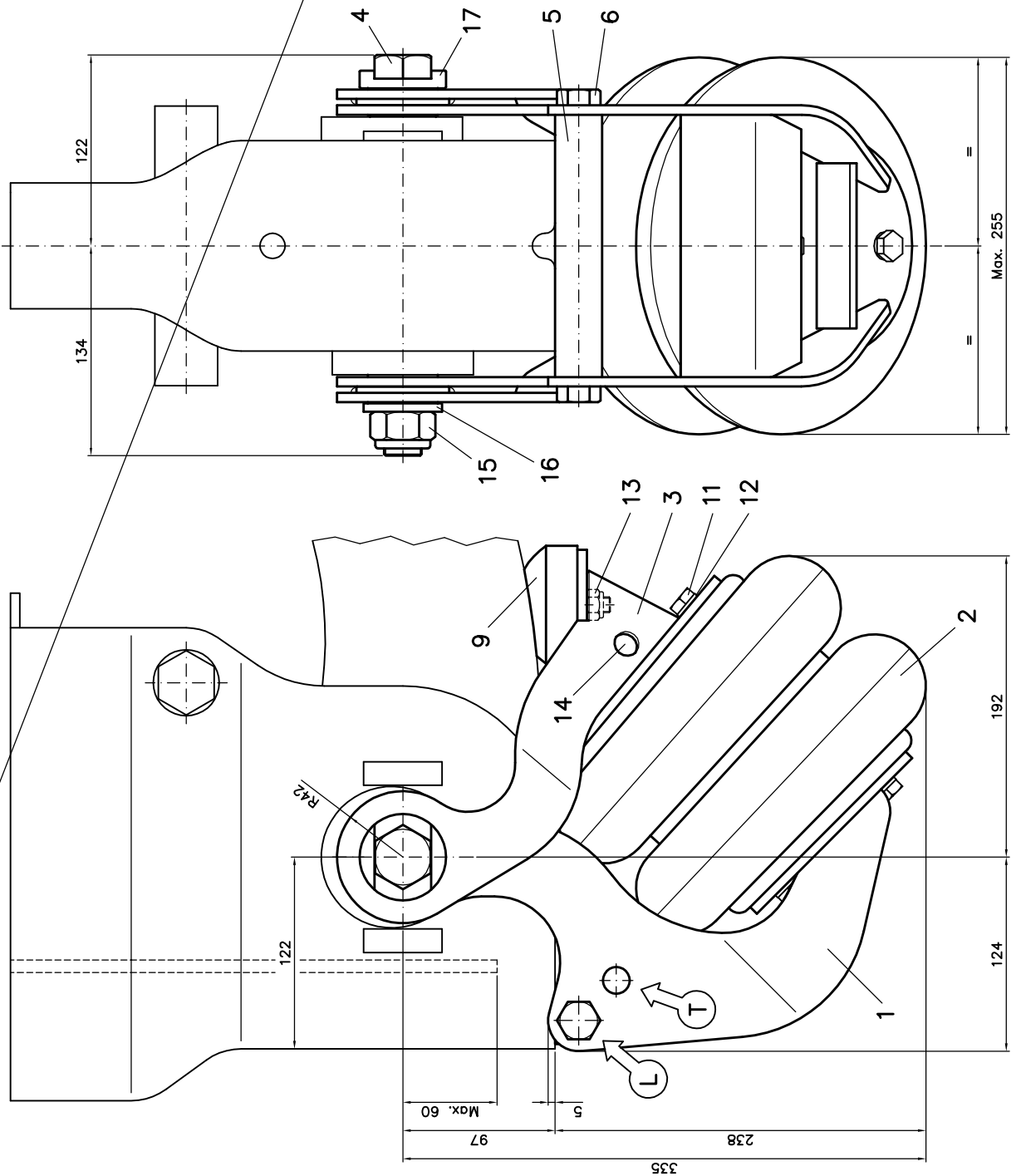


UTILIZATION OF EBM-5 WITH CS9000 L&T
SUSP. ACCORDING TO WHEELS DIMENSIONS

SUSP.	CS9000 L	CS9000 T
WHEELS		
385/65 R22.5	YES	YES
385/55 R22.5	YES	YES
385/65 R19.5	YES	YES
435/50 R19.5	NO	YES
445/45 R19.5	NO	YES
275/70 R22.5	NO	YES
265/70 R19.5	NO	YES

MAX. OPERATING AIR PRESSURE 6

DESCRIPTION	TORQUE (Nm)
06 Support Bar Bolts	80-90
11 Air Bellow Bolts	40-50
13 Rubber Bumper Nuts	40-50
14 Air Fitting	20-25

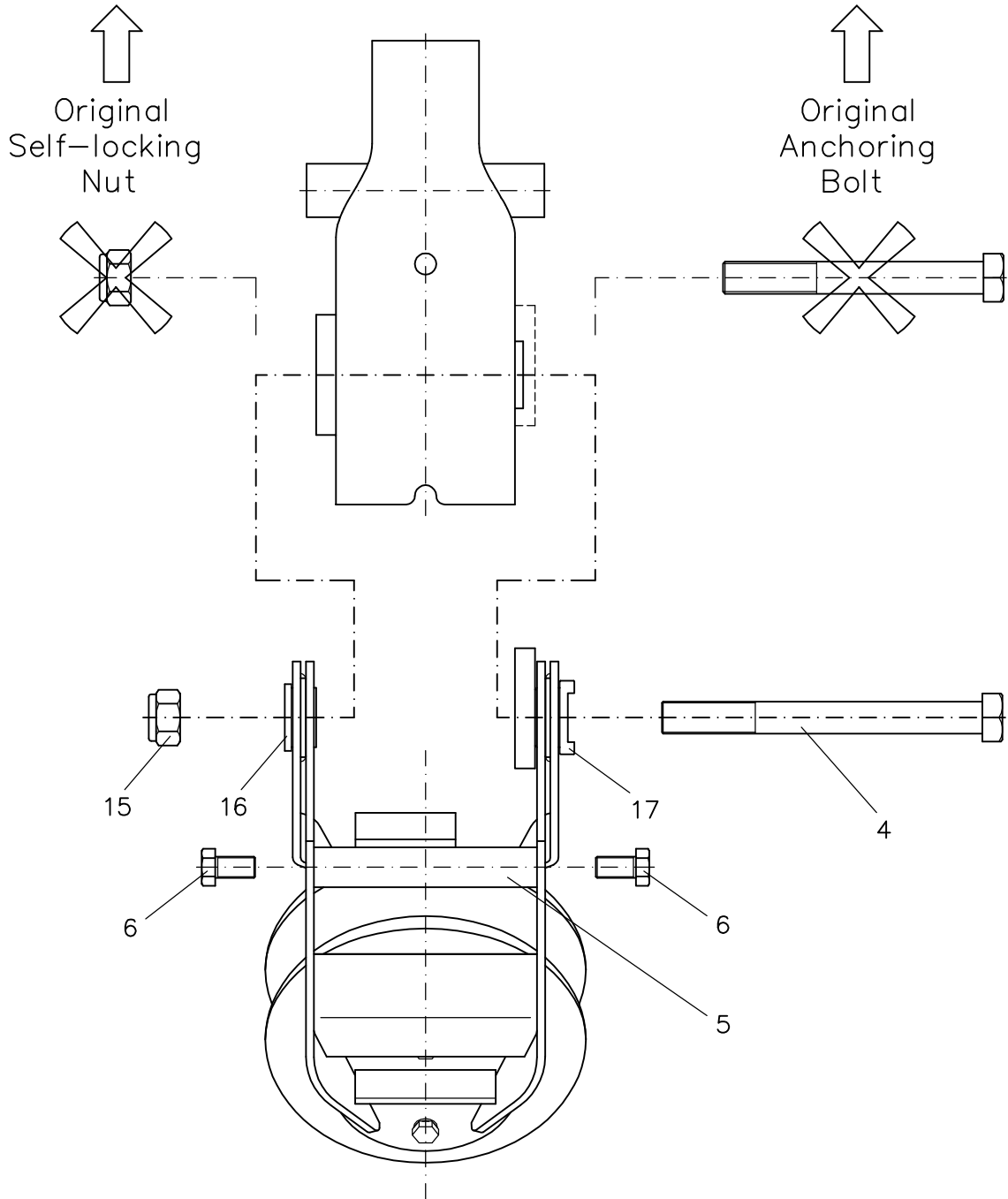


Drawn	Date	Name
Last Rev.	130706	A.MORENO
	120607	A.MORENO

ACCEVAL
ACCESORIOS Y ELEVADORES VALENCIA, S.L.

ACCEVAL EBM-5

AXLE LIFT KIT ASSEMBLY ON MERITOR CS9000 L&T SUSPENSIONS



2	Anchoring Bearing (Exc.)	17	A/Draw. EBM5-17		EBM5-17
2	Anchoring Bearing	16	A/Draw. EBM5-16		EBM5-16
2	Self Locking Nut	15	A/R. M24x2,0	DIN985 10.9	EBL5-07
4	Bolt	06	A/R. M16x2,0xL=30	DIN933 8.8	EBL2-06
2	Support bar	05	A/Draw. EBB5-05		EBB5-05
2	Anchoring Bolt	04	A/R. M24x2xL=240	DIN931 10.9	EBL5-05
Quantity	Denomination	Numb.	Dimensions	Reference	Cod. P.32

EBM-5

INSTALLATION DIMENSIONS ON CS9000 "L" OR "T"

