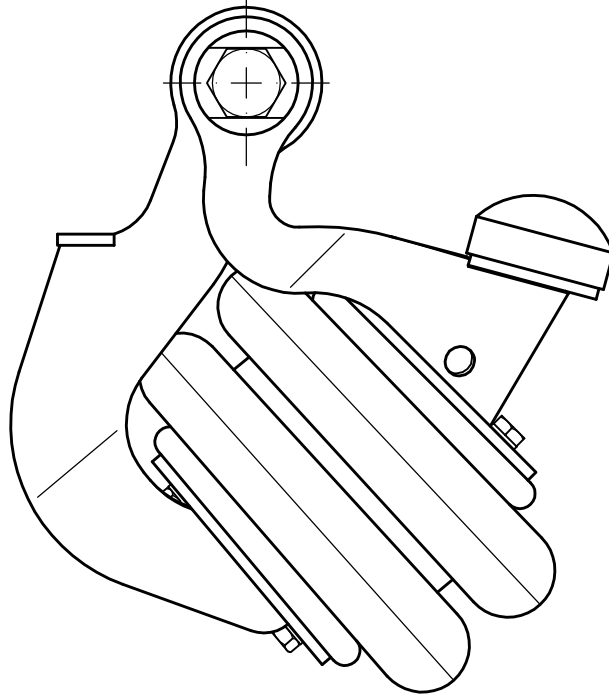
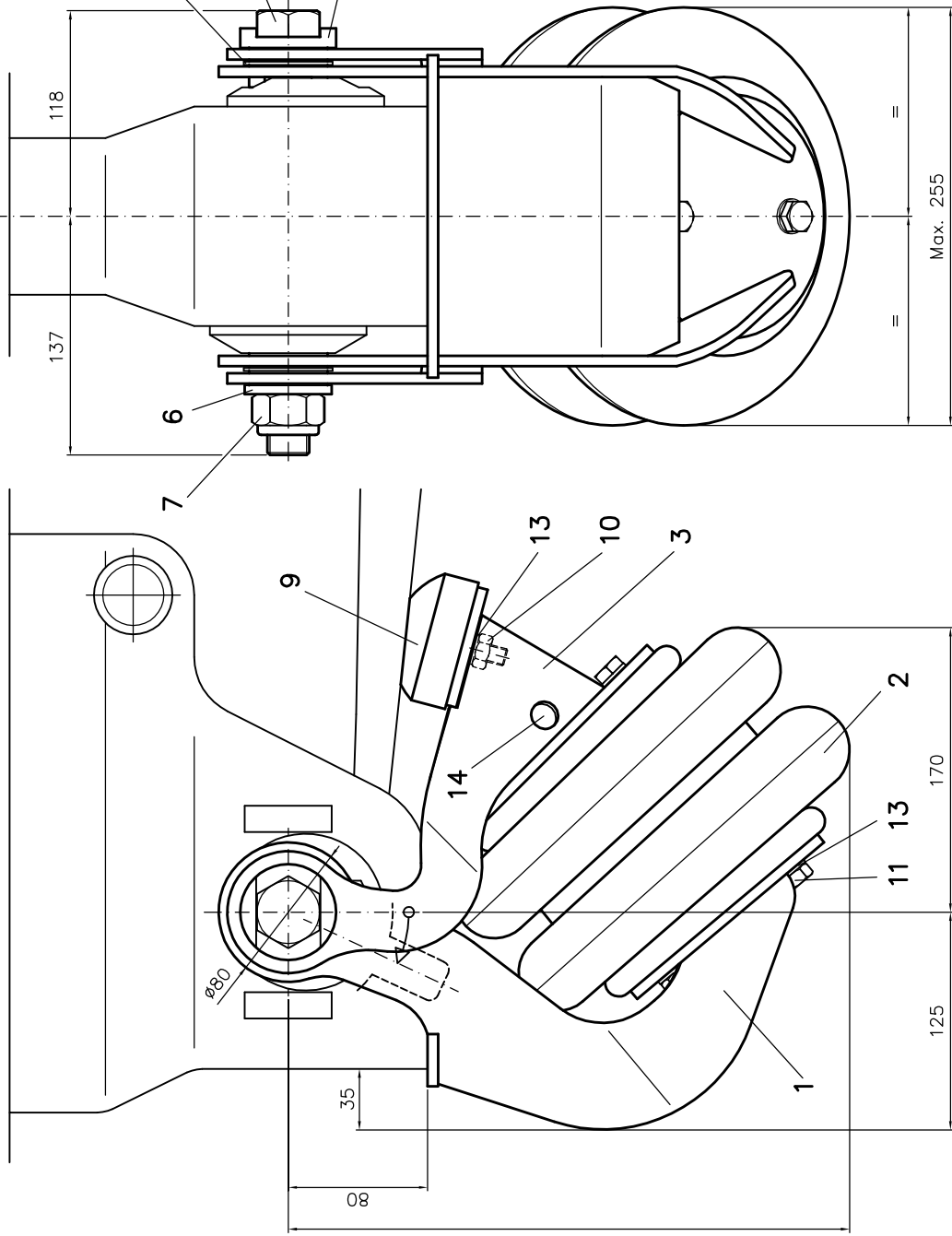


Acceval EBL-5



Axle Lift Kit for
Meritor FL9000
Suspensions

NB / NH / NBE / NBH



Quantity	Denomination	Numb.	Dimensions	Reference	Code
2	Push-in Fitting R1/4-T8	14	A/R. NORGREN	101470828	EDD1-14
12	Grower Washer	13	A/R. M10	DIN127 B ZINC	EDD1-22
4	Retaining Ring	12	A/R. SEFGER	Crescent Ring H45	EBL5-12
8	Bolt	11	A/R. M10x1.5xL=25	DIN933 8.8 Zinc.	EDD1-20
4	Self Locking Nut	10	A/R. M10x1.5	DIN985 Zinc.	EDD1-21
2	Rubber Bumper	09	A/Draw. EBL1-09		EBL1-09
2	Bearing (Ecc.)	08	A/Draw. EBL5-08		EBL5-08
2	Self Locking Nut	07	A/R. M24x2.0		EBL5-07
2	Bearing	06	A/Draw. EBL5-06		EBL5-06
2	Pivot Bolt	05	A/R. M24x2.0xL=240	DIN931 10.9 Zinc.	EBL5-05
2	Upper Bracket	03	A/Draw. EBL5-03		EBL5-03
2	Air Spring	02	A/R. CONTITECH	FD200-22	EDD1-02C
2	Air Spring	02	A/R. PHOENIX	2B12R	EDD1-02A
2	Lower Bracket	01	A/Draw. EBL5-01		EBL5-01

Drawn	Date	Name	ACCEVAL ACCESORIOS Y ELEVADORES VALENCIA, S.L.
Last Rev.	140303	A.MORENO	
Scale	281005	A.MORENO	
AXLE LIFT KIT ADAPTABLE TO			
MERITOR FL9000NB-NH-NBE-NBH			
SUSPENSIONS			
			Draw. Numb. EBL5-00E