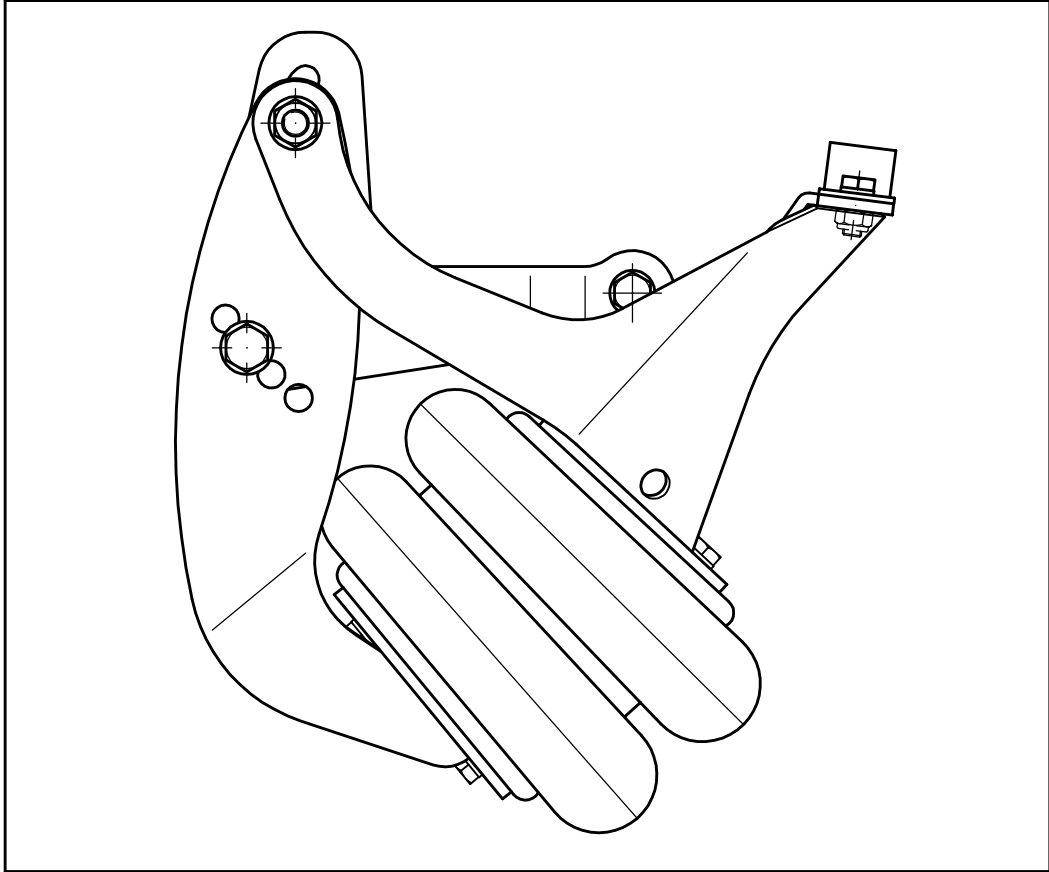
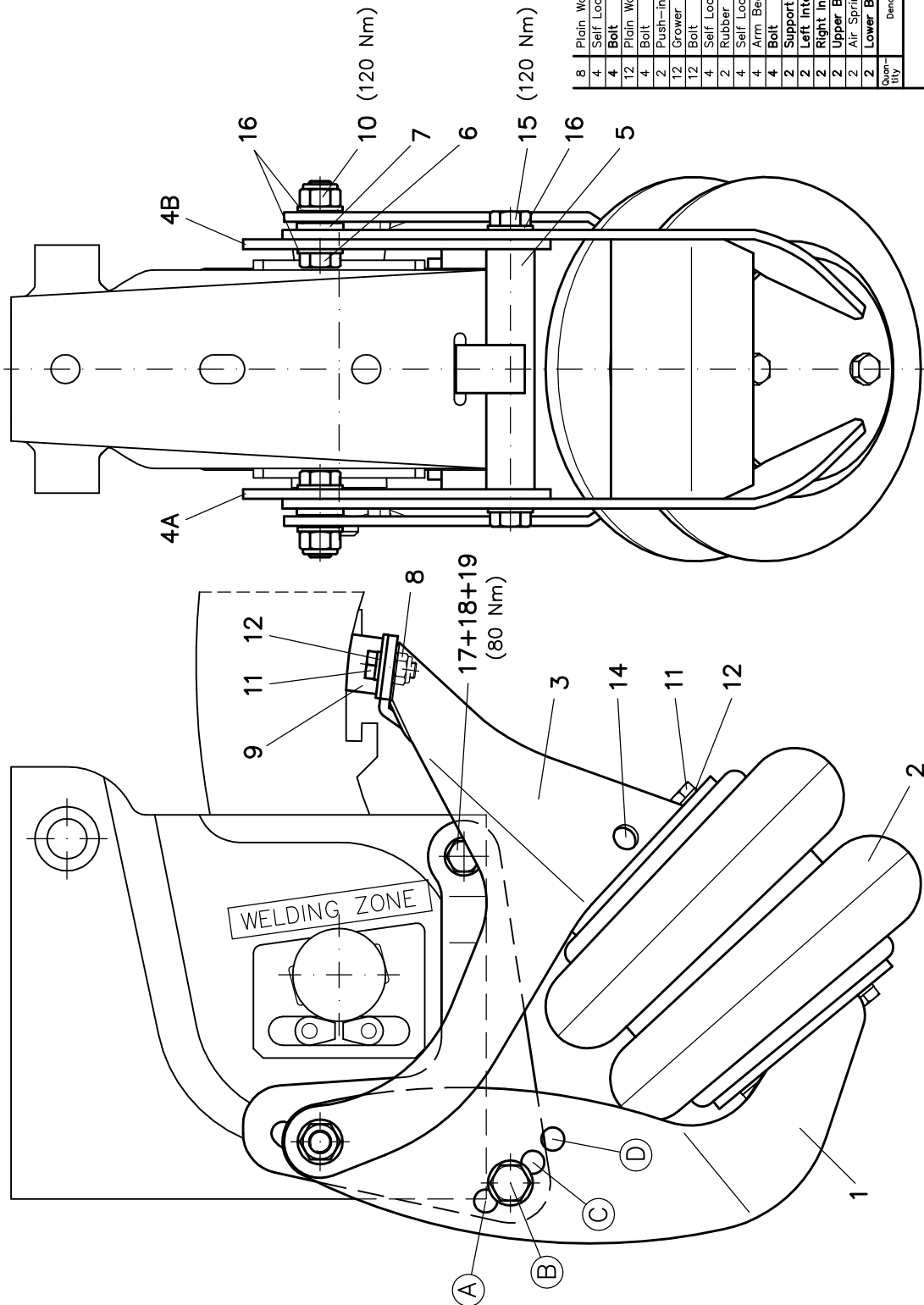


Acceval EBT-3



Axle Lift Kit for
BPW Eco Air Compact
Suspensions

Quick Assembly



MAX. OPERATING AIR PRESSURE 8 BAR

QTY	Part Name	Material	Dimensions	Reference	Code
8	Plain Washer	19	A/R. M12	DIN125 Zinc.	EDD1-09
4	Self Locking Nut	18	A/R. M12x1.75	DIN985 Zinc.	206000
4	Bolt	17	A/R. M12x1.75xL=30	DIN933 8.8 Zinc.	EBT3-17
12	Plain Washer	16	A/R. M14	DIN125 Zinc.	EBM9-16
4	Bolt	15	A/R. M14x2.0xL=40	DIN933 8.8 Zinc.	EDD1-14
2	Push-in Fitting R1/4-T8	14	A/R. NORGREN	101470828	EDD1-14
12	Grower Washer	12	A/R. M10	DIN127 B Zinc.	EDD1-22
12	Bolt	11	A/R. M10x1.5xL=25	DIN933 8.8	EDD1-20
4	Self Locking Nut	10	A/R. M14x2.0	DIN985 Zinc.	EBL8-10
2	Rubber Bumper	09	A/Draw. EBR3-09		EBR3-09
4	Self Locking Nut	08	A/R. M10x1.5	DIN985 Zinc.	EDD1-21
4	Arm Bearing	07	A/Draw. EBL8-07		EBL8-07
4	Bolt	06	A/R. M14x2.0xL=45	DIN931 8.8 Zinc.	EBT3-06
2	Support bar	05	A/Draw. EBT3-05		EBT3-05
2	Left Intermed. Bracket	04B	A/Draw. EBT3-04B		EBT3-04B
2	Right Intermed. Bracket	04A	A/Draw. EBT3-04A		EBT3-04A
2	Upper Bracket	03	A/Draw. EBT3-03		EBT3-03
2	Air Spring	02	A/R. CONITECH	FD200-22	EDD1-02C
2	Lower Bracket	01	A/Draw. EBT3-01		EBT3-01
1	Dimensionality				

Date	04/01/13	Name	A.MORENO
Drawn	04/01/13	Approved	A.MORENO
Last Rev.			
Scale			

ACCEVAL
ACCESORIOS Y ELEVAADORES VALENCIA, S.L.

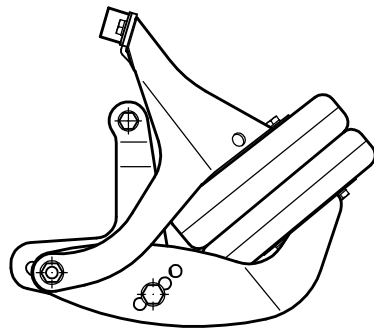
**AXLE LIFT KIT ADAPTABLE TO
BPW ECO AIR COMPACT SUSPENSIONS**

Draw. Numb.
EBT3-00AE

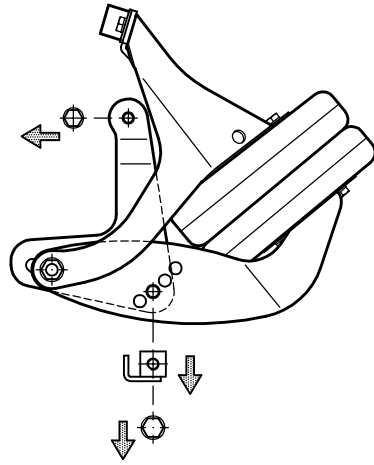
EBT-3

INSTALLATION ON BPW ECO AIR COMPACT SUSPENSIONS

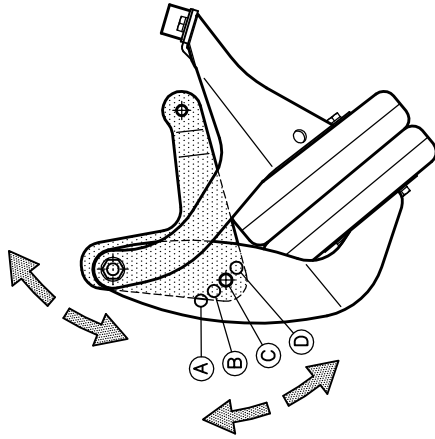
1



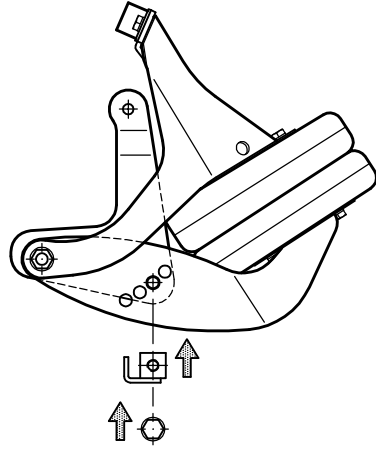
2



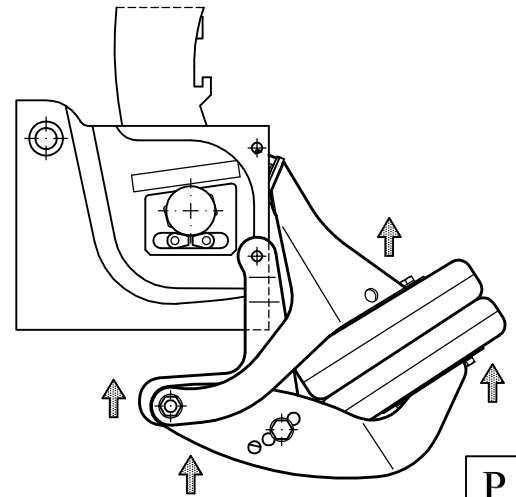
3



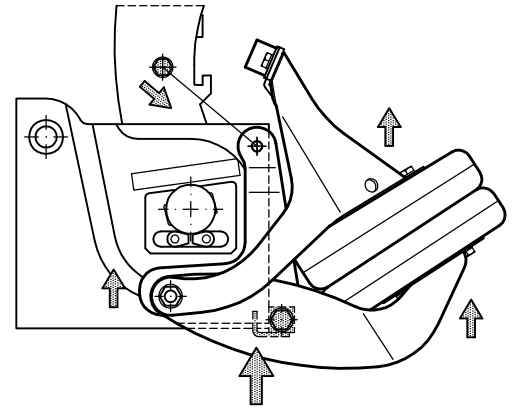
4



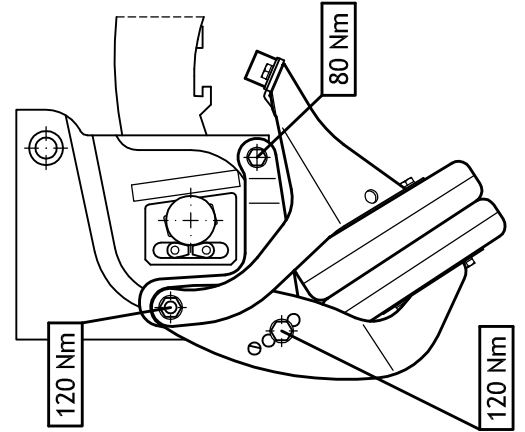
5



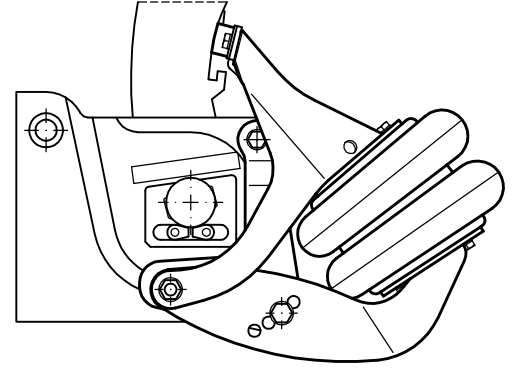
6



7

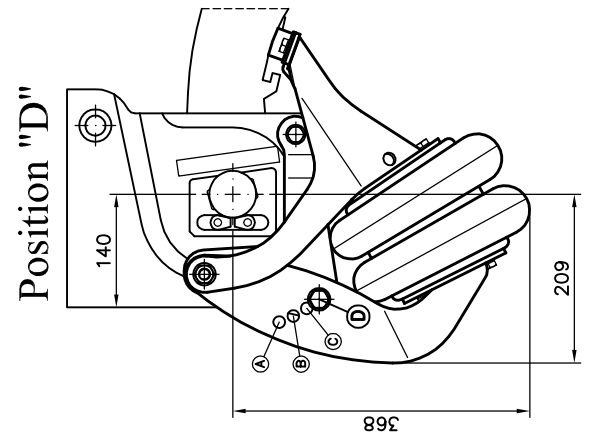
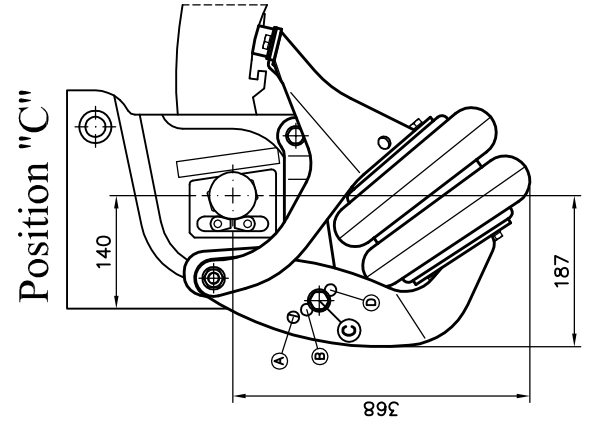
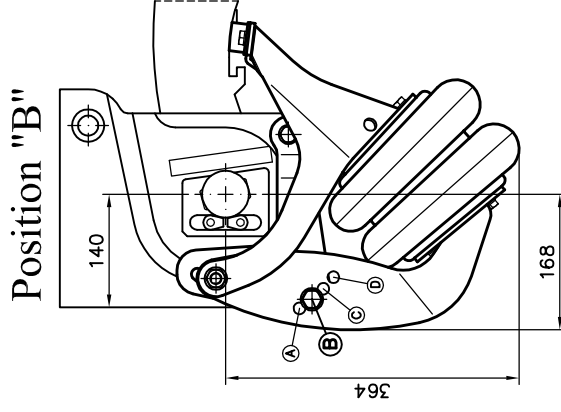
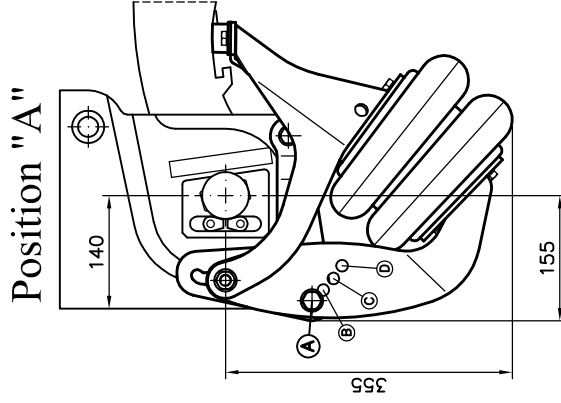


8



Standard Suspensions. Sheet No. 1a/1b/1c

Line	Series	Ride Height FH		Axle Lift Position
		Single Axles	Axle Units min. FH Axle Raised	
1	AU	205-255	215-255	A
2		235-305	245-305	A
3	AM	245-295	255-295	A
4		275-345	285-345	B
5	BM	300-370	310-370	B
6		330-380	340-380	B
7	BO	360-425	370-425	C
8		390-460	400-460	B
9		415-485	425-485	C
10		450-510	460-510	C



Long Stroke Suspensions. Sheet No. 2a/2b/2c

Line	Series	Ride Height FH		Axle Lift Position
		Single Axles	Axle Units min. FH Axle Raised	
1	AU	250-350	260-350	B
2	AM	290-350	300-350	C
3	BM	320-425	330-425	C
4	BO	375-425	385-425	D
5		410-510	420-510	C

Minimum Axle Lift Groundclearance (mm): Laden Vehicle and Suspension Without Pressure

Standard Suspensions. Sheet No. 1a/1b/1c

Line	Series	Wheels Dimensions							
		385/65 R22,5"	385/55 R22,5"	385/65 R19,5"	435/50 R19,5"	445/45 R19,5"	275/70 R22,5"	265/70 R19,5"	
1	AU	63	(33)	(24)	(-8)	(-16)	(19)	(-30)	
2		93	63	54	(22)	(14)	(49)	(0)	
3	AM	103	73	64	(32)	(24)	59	(10)	
4		124	94	85	53	(45)	80	(31)	
5	BM	149	119	110	78	70	105	56	
6		179	149	140	108	100	135	86	
7	BO	205	175	166	134	126	161	112	
8		154	124	115	83	75	110	61	
9		175	145	136	104	96	131	82	
10		210	180	171	139	131	166	117	

Stroke Suspensions. Sheet No. 2a/2b/2c

	385/65 R22,5"	385/55 R22,5"	385/65 R19,5"	435/50 R19,5"	445/45 R19,5"	275/70 R22,5"	265/70 R19,5"
AU	99	69	60	(28)	(20)	55	(6)
AM	135	105	96	64	56	91	(42)
BM	165	135	126	94	86	121	72
BO	220	190	181	149	141	176	127
BD	170	140	131	99	91	126	77

Approved